

## Overview

Key switch stations provide an extra level of security that limits lighting control access to only those with the appropriate key. Switch stations have a high quality 5 tumbler key switch, are prewired and ready to install in any standard switch box. Switch plates come in a durable stainless steel finish.



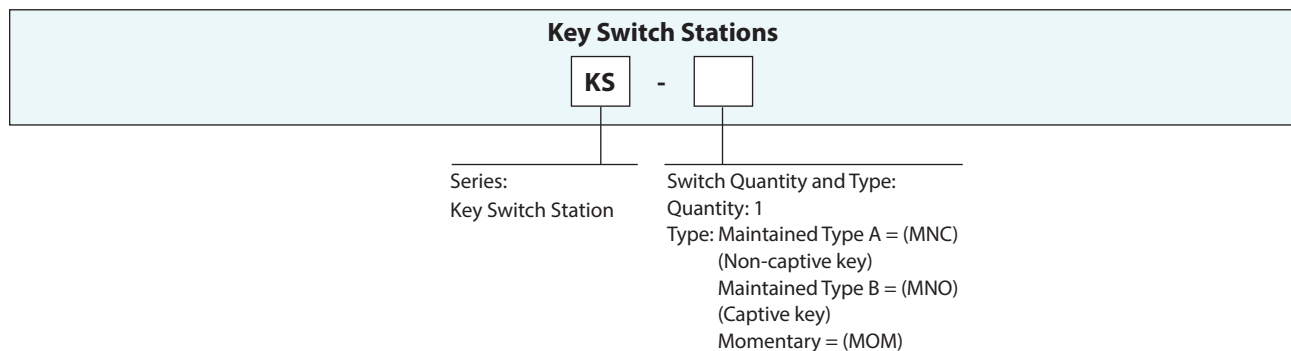
## Features

- **Made in the USA**
- **Switches** are heavy duty momentary or maintained
- **Secure** 5-tumbler high quality switches
- **Direct** wire to lighting controller
- **Durable switch** plates in brushed stainless steel
- **Hardware** is included for mounting and wiring
- **Mounts** in a standard switch box
- **Wires** are installed for easy termination
- **Program** each button to control any relay(s), group(s) or preset(s)

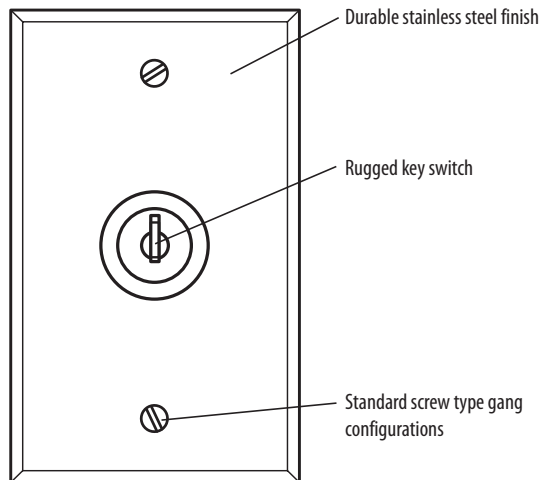
## Warranty

Six-year limited warranty

## Ordering



## Physical



## Specifications

### Physical:

- Mounts in a standard switch box
- Standard switch plate sizes
- Mounting screws provided
- Switch: 0.87" diameter stainless steel
- Durable stainless steel switch plate

### Switches:

- Momentary SPDT
- Maintained SPDT (on-off-on) key removable in "ON" or "OFF" position (Version A)
- Maintained SPDT (on-off-on) key removable in "OFF" position (Version B)

### Electrical:

- Switch: 10 Amps @ 28 VDC or 125 VAC

### Operating Environment:

- Location: Interior Space
- Operating Temp.: 0° to 60° C
- Humidity: 10% to 90% Non-condensing
- Atmosphere: Non-explosive/corrosive
- Vibration: Stationary