

LightLEEDer

Mobile LightSync Link App

Overview

The Mobile-LS-Link™ Wifi App is designed to control relays, dimmers, and shades using an Android or iOS device. This app has the ability to emulate up to 64 LightSync input devices which equates to 512 inputs and 512 status pilots. With up to 32 screens, you can build your screens with easy to use drag-and-drop control buttons, dimmer sliders, status indicators and static text. Each of the control objects can be custom configured for controlling relays, groups, presets, dimmers, or shades in the ILC lighting controller network.



Features

- **Made in the USA**
- **Allows** up to 512 programmable control inputs per interface
- **Up to 512** programmable status indicator points per interface
- **Configurable** buttons for controlling Relays, Groups, Presets, or shades
- **Hold-and-drag** slide dimmers for controlling 0-10V, or line voltage dimmers
- **True status** indicators for Relay outputs, Groups, Presets, or Dimmers
- **Customizable** text fields
- **Drag and drop** control/status/text setup configuration
- **Up to 32** customizable screens
- **Landscape** or portrait operation
- Wifi communications to the LightSync Wifi App Interface
- **Security** via Wifi encryption
- **Android or iOS** device.
- **Same** programming features as LightSync devices

Warranty

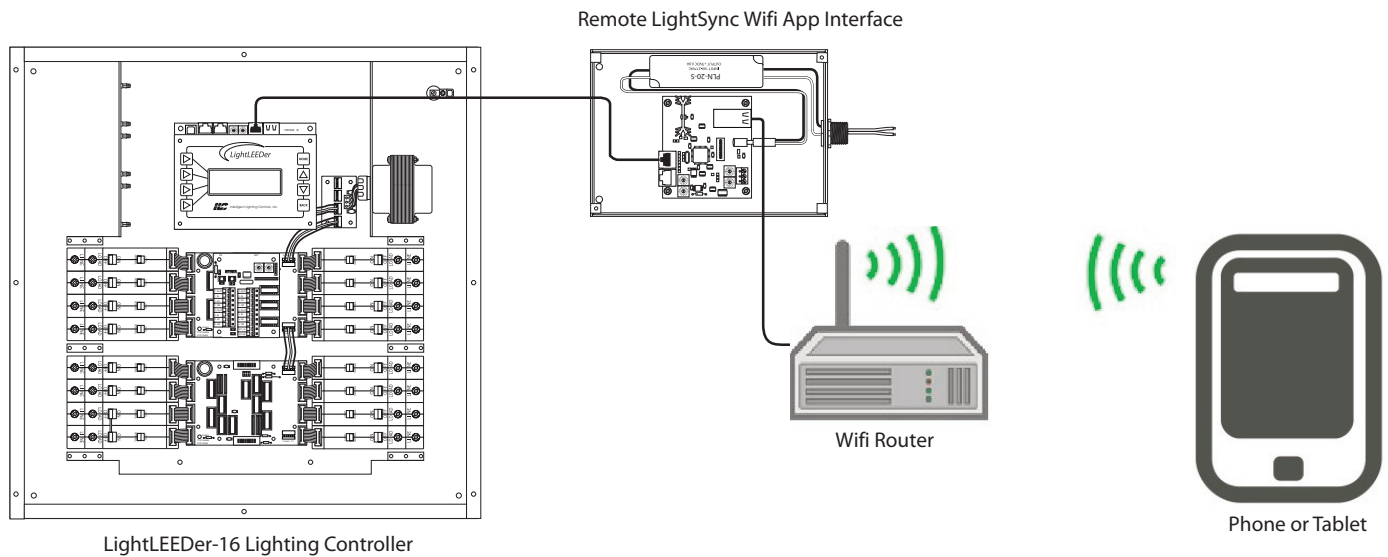
Five-year limited warranty

Ordering

Download app from the iOS App Store & Google Play
See LightSync Wifi App Interface cut-sheet for hardware information
Search: ILCMobile LightSync Link

LightLEEDer **Mobile LightSync Link App**

Physical



Specifications

Required Hardware:

- Android or iOS device
- Wifi router
- LightSync Wifi App Interface

Android Requirements:

- Phone or tablet
- Minimum Android Version 4.1 Jelly Bean

iOS Requirements:

- Phone or tablet
- Minimum iOS 8.0

