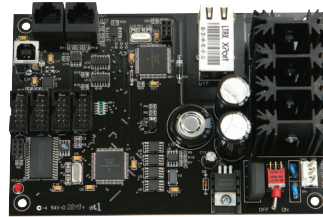


LightLEEDer **Network Controller Module**

Overview

The LightLEEDer Advanced Network Controller Module manages network activities including syncing panel clocks, and data between panels. It also manages communication between up to 254 panels, allows up to 254 LightSync devices on the panel network, and provides USB connection to a PC. In addition, it includes high-speed LightSync device scanning with data line power, single point gateway options, and TCP/IP to host communications. The LL-NC can double stack on top of a processor in any panel, or is available in a NEMA 1 enclosure with a hinged locking door. This provides a remote panel with room for Gateways, PSR's, and other required devices.



Advanced Network Controller



Remote Advanced Network Panel W/ Hinged Locking Door

Features

- **Made in the USA**
- **Digital CAT-5 Ready**
- **Network** up to 254 panels
- **Communications** are controlled across the network
- **254 LightSync devices** permitted on the panel network
- **USB connection** throughout the network for programming and control
- **Installs directly** into any panel
- **Ribbon connectors** for easy installation into any panel
- **High speed LightSync device** scanner for fast communications
- **Ethernet port** for TCP/IP connection for programming and control

- **4 Gateways** ports for single point connections to the BAS system
- **Powers data line** for LightSync devices

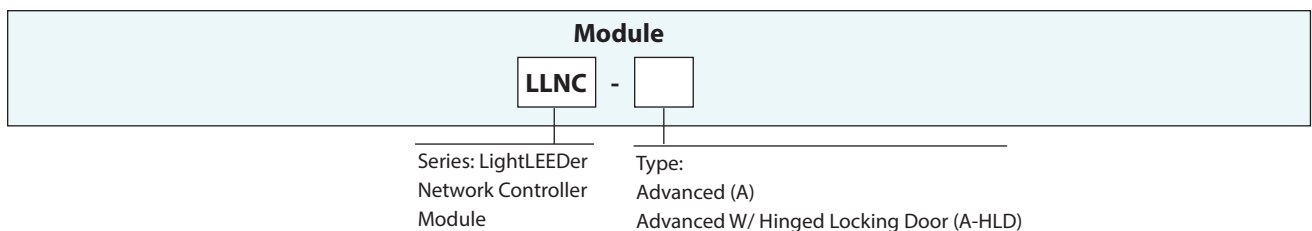
Remote Advanced Network Controller Panel General Information:

- **Provided** with a NEMA 1 enclosure w/ hinged locking door
- **Segregates** Advance Network Controller from lighting controller
- **Localizes** network access point to any control room
- **Mounts** anywhere on the LightSync network
- **Customize** with any of the available Gateways, PSR boards, or other devices. Contact ILC for more information

Warranty

Six-year limited warranty

Ordering

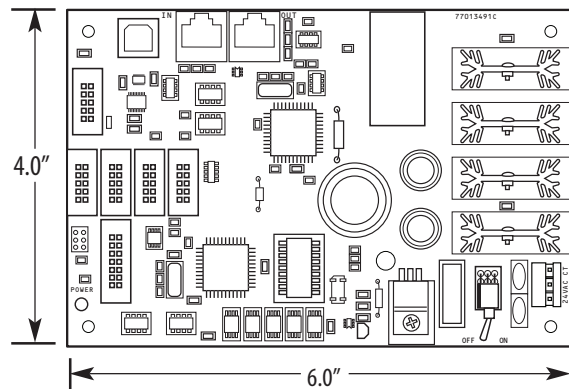


LightLEEDer

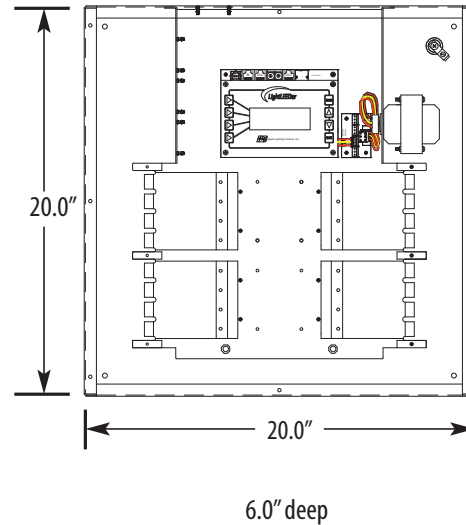
Network Controller Module

Physical

Advanced Network Controller (panel mount)



Remote Advanced Network Controller Panel



Specifications

Panel Mount:

- 6" Wide X 4" High
- Removable power connector
- USB connector
- RJ45 Ethernet connector

Advanced Remote Panel:

- 20" Wide X 20" High X 6" Deep
- ANSI 61 gray finish
- Mounting holes provided
- High voltage divider
- NEMA1 enclosure
- Surface mount hinge locking door

Electrical:

- Panel Mount: Powered from panel
- Remote Panel: 120/277 VAC, 1 Amp

Configuration:

- Software programming
- Directly through keypad

Operating Environment:

- Location: Interior space
- Operating Temp.: 0° to 50° C
- Humidity: 10% - 90% Non-condensing
- Atmosphere: Non-explosive/corrosive
- Vibration: Stationary

Certifications and Approvals:

- UL
- CUL
- FCC Part 15