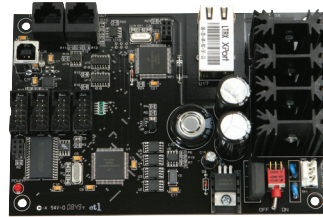


LightLEEDer

Network Controller

Overview

The LightLEEDer Network Controller manages network activities including syncing panel clocks, and data between panels. It also manages communication between panels, LLEVO controllers, LightSync devices, and provides a USB and Ethernet connection to a PC. The LLNC has 4 ports for connecting BMS gateways. It can double stack on top of a processor in any panel, or is available in a NEMA 1 enclosure with a hinged locking door. This provides a remote panel with room for Gateways, PSR's, and other required devices.



Network Controller

Remote Network Controller
W/ Hinged Locking Door

Features

- **Made in the USA**
- **Network** up to 254 panels
- **Remote Access** capable through TCP/IP connection or Web access.
- **Communications** are controlled across the network
- **USB and Ethernet** ports for programming and control of network
- **Installs directly** into any panel
- **Ribbon connectors** for easy installation into any panel
- **254 LightSync devices** permitted on the panel network
- **4 Gateways** ports for single point connections to the BAS system
- **Powers data line** for LightSync devices

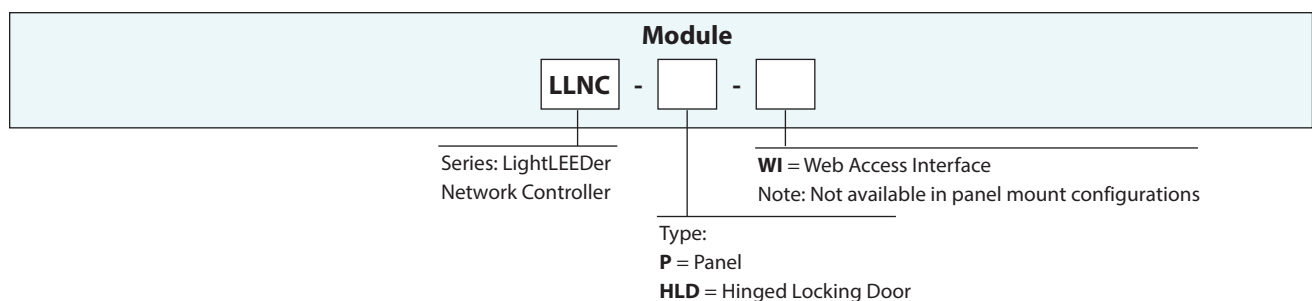
Remote Network Controller Panel General Information:

- **Provided** with a NEMA 1 enclosure w/ hinged locking door
- **Mounts** anywhere on the LightSync network CAT-5 run.
- **Customize** with any of the available BMS Gateways, PSR boards, or other devices. Contact ILC for more information
- **Web Access Interface** can be added to the LLNC for hosting ILC Pro or InSite GUI software allowing access from any device connected to the internet.

Warranty

Six-year limited warranty

Ordering

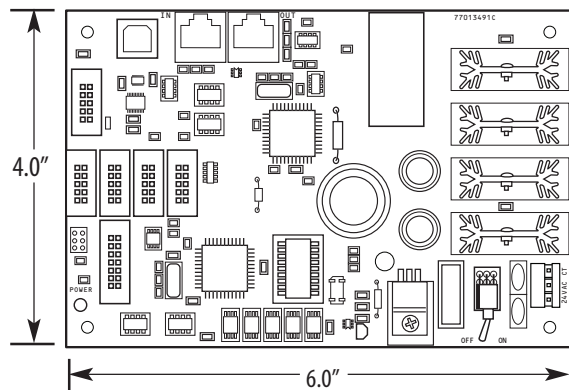


LightLEEDer

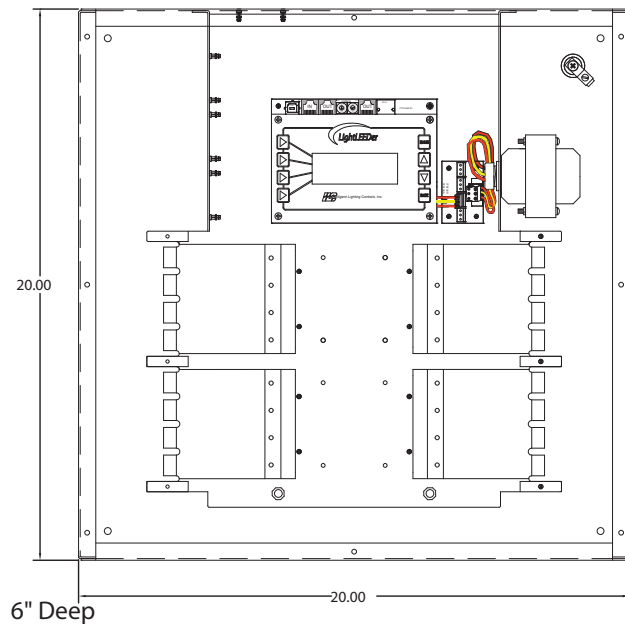
Network Controller

Physical

Network Controller (panel mount)



Remote Network Controller



Specifications

Panel Mount:

- 6" Wide X 4" High
- Removable power connector
- USB connector
- RJ45 Ethernet connector

Remote Panel:

- 20" Wide x 20" High x 6" Deep
- ANSI 61 gray finish
- Mounting holes provided
- High voltage divider
- NEMA1 enclosure
- Surface mount hinge locking door

Electrical:

- Panel Mount: Powered from panel
- Remote Panel: 120/277 VAC, 1 Amp

Configuration:

- Software programming
- Directly through keypad

Operating Environment:

- Location: Interior space
- Operating Temp.: 0° to 50° C
- Humidity: 10% - 90% Non-condensing
- Atmosphere: Non-explosive/corrosive
- Vibration: Stationary

Certifications and Approvals:

- UL
- CUL
- FCC Part 15