

## LightLEEDer

## RJ-45 Terminal

### Overview

The LightLEEDer RJ-45 Terminal adapter can be used with the LightLEEDer EVO-INT-2, -4, -8 panels for termination to a hardwire photo sensor or occupancy sensor. The Installer can run a CAT-5 cable for the photo sensor or occupancy sensors at the same time as they run CAT-5 for the LSG3 switches to save time and expense. Then place the LLRJ-45T at the end of each sensor run for easy termination.



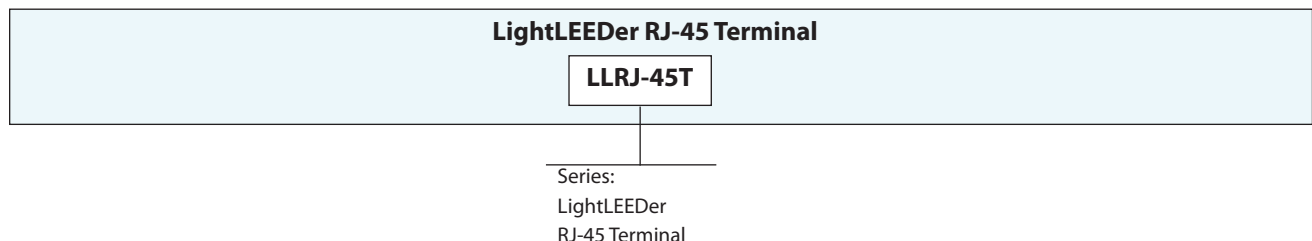
### Features

- CAT-5 cable RJ-45 terminator
- Push to connect terminal with release button
- Low profile size
- Plug and Play operation

### Warranty

Five-year limited warranty

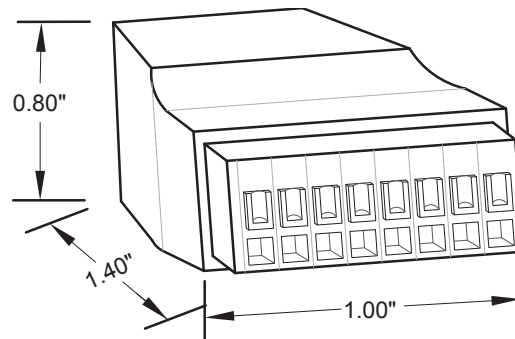
### Ordering



LightLEEDer

RJ-45 Terminal

## Physical



## Specifications

### Physical:

- 1.40" Long x 1.00" Wide x 0.80" Tall
- RJ-45 female connector
- 8 Terminal Push to terminate connector with push button release
- No soldering or crimping required
- Molded solid construction
- 22 to 16AWG stranded wire supported