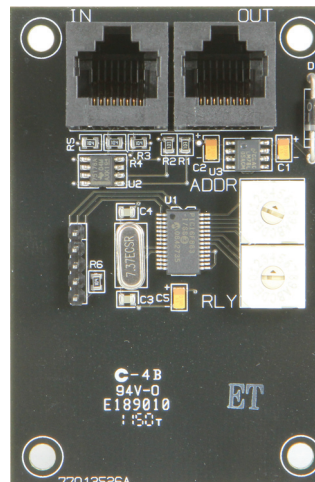


LightLEEDer

Relay Simulator Register

Overview

The LightLEEDer Relay Simulator Register is a device designed to provide an internal register that can be controlled like a relay in the panel. By adding this to the panel, simulated relays can be turned ON or OFF and be used in conjunction with Input or Relay conditionals to obtain complicated logic programming. This device is connected to the panels Local data port and can be configured as simulated relays beyond the physical relays in the panel.



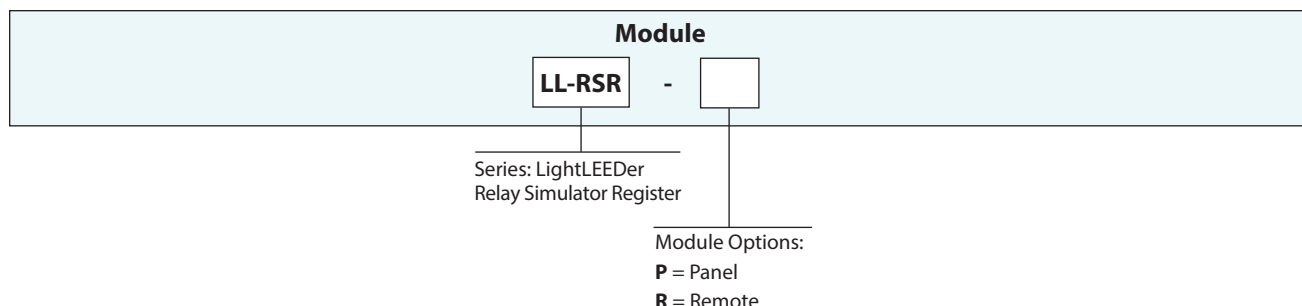
Features

- **Made in the USA**
- **Digital CAT-5 Ready**
- **Simulated** relay output register
- **Logic** capabilities increased
- **Holds** relay ON and OFF values
- **Programs** and looks just like a normal relay from the system
- **Programming** logic used in Input and Output conditionals
- **Occupies** unused relay points in a panel
- **Mounts** directly in the panel
- **Powered** directly from the data line

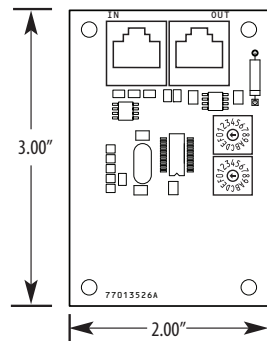
Warranty

Six-year limited warranty

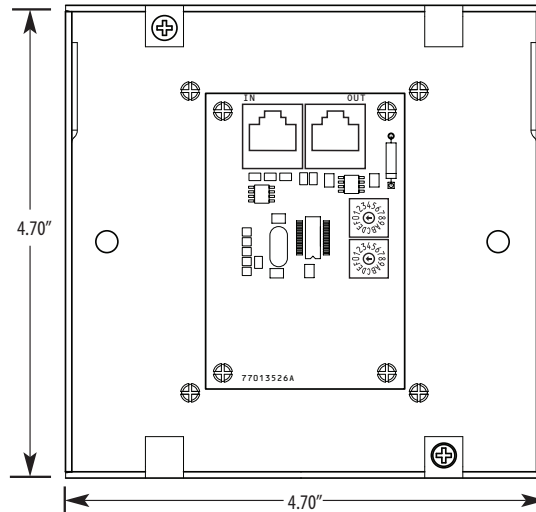
Ordering



Physical



LL-RSR



LL-RSR-R

Specifications

Physical:

- 2.0" wide X 3.00" high
- Data IN and Data OUT RJ45 connectors
- Address switch
- Relay count switch
- Panel mount directly in standard LightLEEDer panels
- Remote option provided with 4-11/16" junction box

Electrical:

- Powered directly from the data line

Operating Environment:

- Location: Interior space
- Operating Temp.: 0° to 50° C
- Humidity: 10% - 90% Non-condensing
- Atmosphere: Non-explosive/corrosive
- Vibration: Stationary

Certifications and Approvals:

- UL
- CUL
- FCC Part 15