

LightLEEDer

Remote 20 Amp Dimming Relay with Emergency Bypass

Overview

The ILC Remote 20 Amp, Emergency Bypass Relay combines normal relay operation with a UL 924 bypass relay in one convenient package. When normal power is lost the EM relay will automatically force ON the EM load and send dimming to 100%. When normal power is restored the device will return to normal control. The R20D-EM have a relay test button, and a wired input that can be used for a remote test switch or as an override connection from a fire alarm system.



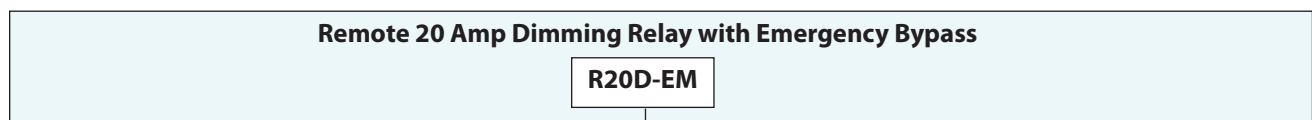
Features

- **Made in the USA**
- **Emergency and Normal** power control combined in one device
- **UL 924** rated
- **EM Relay** rated up to 20 Amp @120/277VAC
- **Normal Relay** rated up to 20 Amp @120/277VAC
- **EM Load follow** operation of normal load control
- **Test button** for local Test operation
- **Override Input** for remote Emergency test switch or fire alarm system override
- **Plenum rated**
- **Direct mounting** at power junction box or light fixture with 1/2" K.O.
- **Digital CAT-5** ready control from LLEVO controller up to 100 feet

Warranty

Five-year limited warranty

Ordering



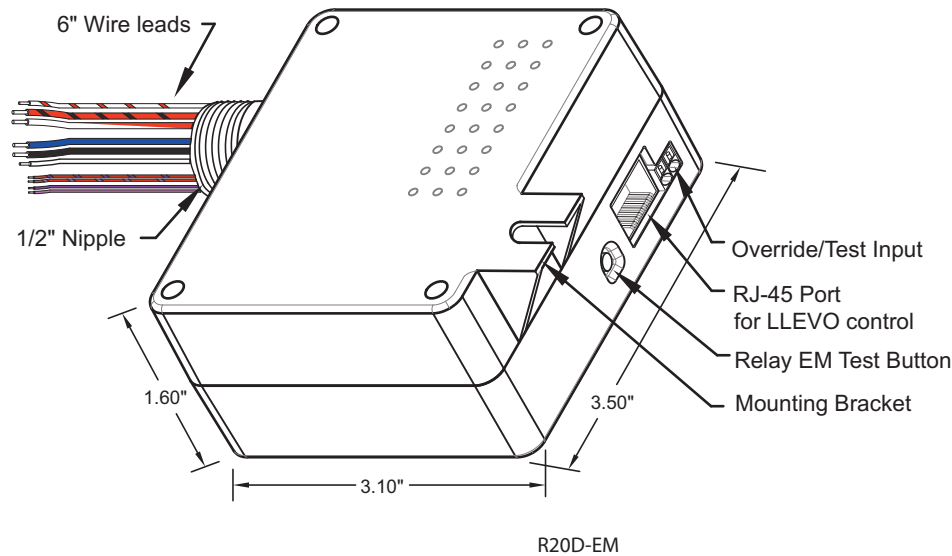
Series:

R20D-EM = Remote 20 Amp Dimming Relay with EM load

LightLEEDer

Remote 20 Amp Dimming relay with Emergency Bypass

Physical



Specifications

Safeguards:

- LED electronic load inrush rated
- 600VAC rated wire leads including 0-10V leads
- 4000V Isolation 0-10VDC dimming

Physical:

- Dimensions 3.50" x 3.10" x 1.60"
- Polycarbonate plastic enclosure
- 6" wire leads for connections provided
- Color coded leads for easy wiring
- 1/2" nipple for mounting to electrical box
- Conduit nut provided

Electrical:

- 20 Amps, 120/277VAC tungsten
- 16 Amps, 120/277VAC electronic ballast, LED, CFL
- 1/4HP @ 120VAC motor load
- Plug-load compatible
- 100mA Sink 0-10V dimming loads combined
- SCCR: 5kA

Override Test Input:

- 10-28VAC/DC 5mA input current
- Test button on relay

Operating Environment:

- Location: Interior space
- Operating Temperature: 0° to 50° C
- Humidity: 10% - 90% Non-condensing
- Atmosphere: Non-explosive/corrosive
- Vibration: Stationary

Certifications:

- UL CUL 916/924
- Plenum Rated UL 2043
- FCC Part 15