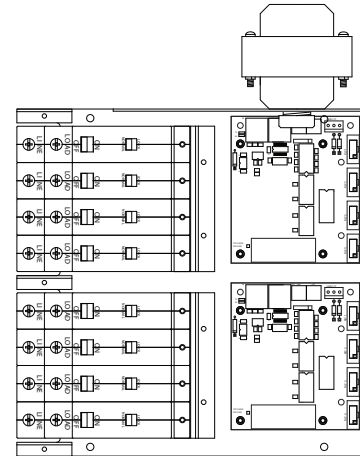


LightLEEDer

LightLEEDer-8X Retrofit Insert

Overview

A LightLEEDer-8X Retrofit Insert can take your present outdated or failing lighting control panel and get it up to today's standards. All of the enhanced features of the LightLEEDer system will be available with this retrofit system from LightSync switches to BAS control. Upgrades are as simple as removing the existing hardware and replacing it with the LightLEEDer-8X hardware provided on a single back plate insert. Re-use the existing enclosure, conduit, and line voltage wiring. LightLEEDer-8X panels are controlled with an Expansion Processor (optional) or a standard LightLEEDer panel. The LightLEEDer programmable lighting controller retrofit insert provides a dependable, flexible, and energy savings controller featuring the robust Reliant40 relay.



Features

- **Made in the USA**
- **Digital CAT-5 Ready**
- **Electronics, Relays, and Transformer** provided on a single insert
- **Installs** directly in a MicroLite®50 or other manufactures enclosure
- **Expansion** provided from LightLEEDer's local port
- **Capacity** of up to 8 relays
- **Relays** are the superior Reliant40 design
- **Add-on** capability for 2 LightSync input modules
- **Connects** on the LightLEEDer local sub-net
- **Combine** up to 8 LL-8X Retrofit Inserts per sub-net

- **Compatible** with all LightLEEDer lighting controllers
- **Same Features** as a LightLEEDer lighting controller

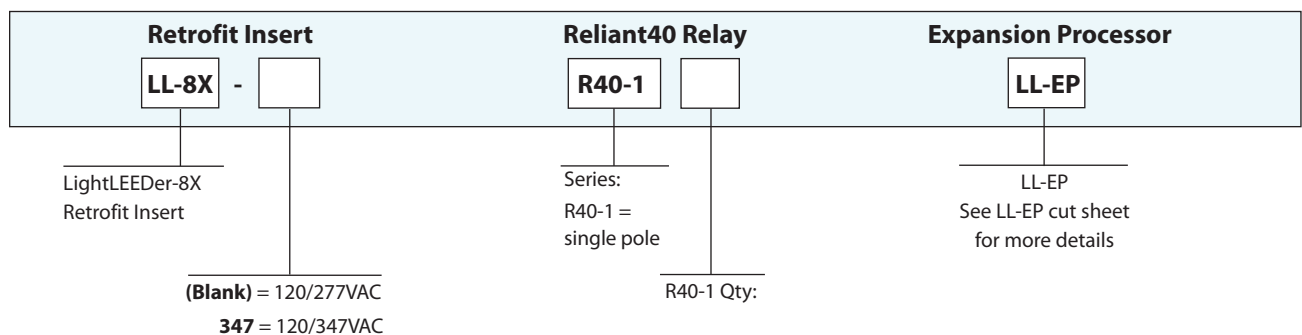
External Controller:

- Expansion Controller or a standard LightLEEDer panel
- Required for all installations
- Connect remote LL-8X panels to emulate a single panel
- Controls up to 8 retro inserts
- Provides a sub-net for communications
- Allows LightSync data line devices and power
- Provides all standard panel controls
- Combine up to 255 sub-net or standard panels per lighting system

Warranty

Five-year limited warranty

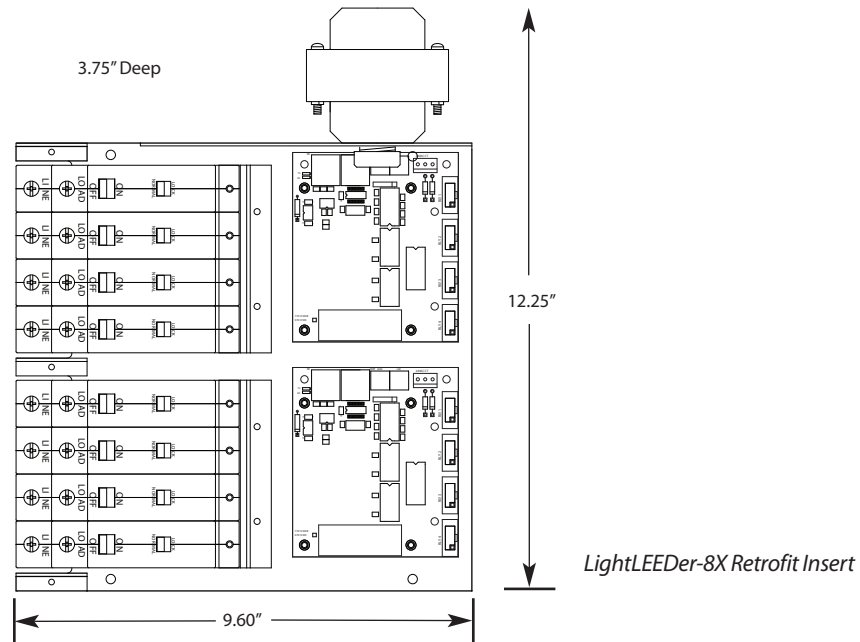
Ordering



LightLEEDer

LightLEEDer-8X Retrofit Insert

Physical



Specifications

Physical:

- 9.60" W x 12.25" H x 3.75" D
- Galvanized back plate insert
- Provided with pre-drilled mounting holes
- High voltage barriers separate Class2 wiring

Electrical:

- 120/277 VAC @ 1 amps or optional 347 VAC

Relays:

- Superior latching relays
- Switch type override control
- Lockout feature disables control
- 40 Amps ballast or resistive loads
- SCCR to 18,000 symmetrical amps
- 1-pole configurations

Operating Environment:

- Location: Interior space
- Operating Temperature: 0° to 50° C
- Humidity: 10% - 90% Non-condensing
- Atmosphere: Non-explosive/corrosive
- Vibration: Stationary

Certifications and Approvals:

- UL and CUL listed
- FCC Part 15
- Title 24
- ASHRAE compliant
- LEED compliant