

**LightLEEDer** **Heavy Duty Switch Stations**

### Overview

Momentary Switch Stations are available from ILC in a Decora or toggle style form. These heavy duty switches have a momentary On/Off with a neutral center position. The switches are manufactured by Leviton®, Hubbell®, or Pass & Seymour® and accept standard switch plates. Switches can be wired to signal an input to control a relay(s), group(s), or preset(s) in any of ILC's panels.



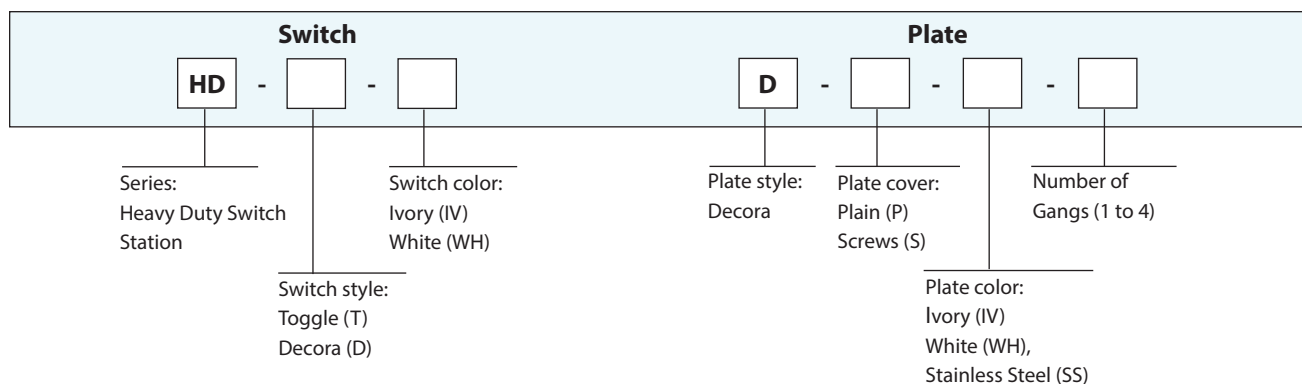
### Features

- **Made in the USA**
- **Heavy duty momentary switches**
- **Decora and Toggle** styles available
- **Switch** is a SPDT center OFF 3 wire rocker
- **Direct** wire to lighting controller
- **Switch colors** include white or ivory
- **Durable switch plates** in brushed aluminum, stainless steel, white, or ivory for Decora switches
- **Switch plates** are available in screw or screwless for Decora
- **Toggle** switches accept standard switch plates
- **Hardware** is included for mounting
- **Mounts** in a standard single gang box
- **Specification** grade device
- **UL** listed

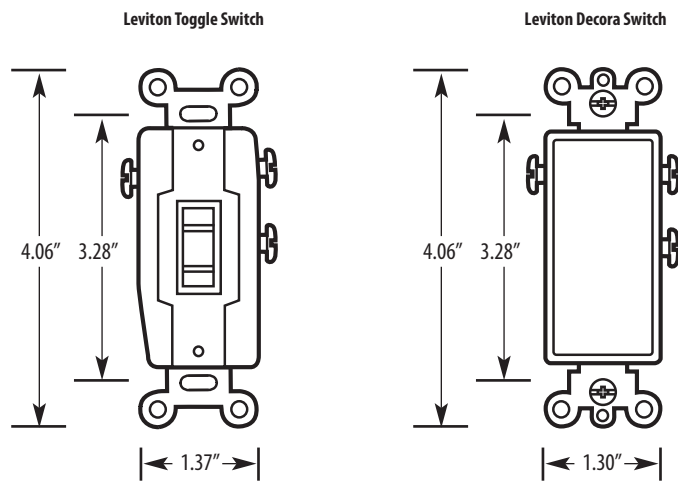
### Warranty

Six-year limited warranty

### Ordering



## Physical



## Specifications

### Physical:

- Decora® style manufactured by Leviton
- Toggle switch manufactured by Leviton, Hubbell, or Pass & Semour
- Mounts in a standard 1 gang switch box
- Standard switch plate sizes
- Mounting screws provided
- Available in ivory or white

### Electrical:

- 120/277 VAC
- 15 or 20 Amp

### Operating Environment:

- Location: Interior space
- Operating Temp.: 0° to 50° C
- Humidity: 10% - 90% Non-condensing
- Atmosphere: Non-explosive/corrosive
- Vibration: Stationary

### Certifications and Approvals:

- UL
- CSA