

Overview

The Mobile-LS-Link™ Wifi Android App is designed to control relays, dimmers, and shades using an Android phone or tablet. This app has the ability to emulate up to 64 LightSync input devices which equates to 512 inputs and 512 status pilots. With up to 32 screens, you can build your screens with easy to use drag-and-drop control buttons, dimmer sliders, status indicators and static text. Each of the control objects can be custom configured for controlling relays, groups, presets, dimmers, or shades in the ILC lighting controller network..



Features

- **Made in the USA**
- **Allows** up to 512 programmable control inputs per interface
- **Up to 512** programmable status indicator points per interface
- **Configurable** buttons for controlling Relays, Groups, Presets, or shades
- **Hold-and-drag** slide dimmers for controlling 0-10V, or line voltage dimmers
- **True status** indicators for Relay outputs, Groups, Presets, or Dimmers
- **Customizable** text fields
- **Drag and drop** control/status/text setup configuration
- **Up to 32** customizable screens
- **Landscape** or portrait operation
- Wifi communications to the LightSync Wifi App Interface
- **Security** via Wifi encryption
- **Android** phone or tablet
- **Same** programming features as LightSync devices

Warranty

Six-year limited warranty

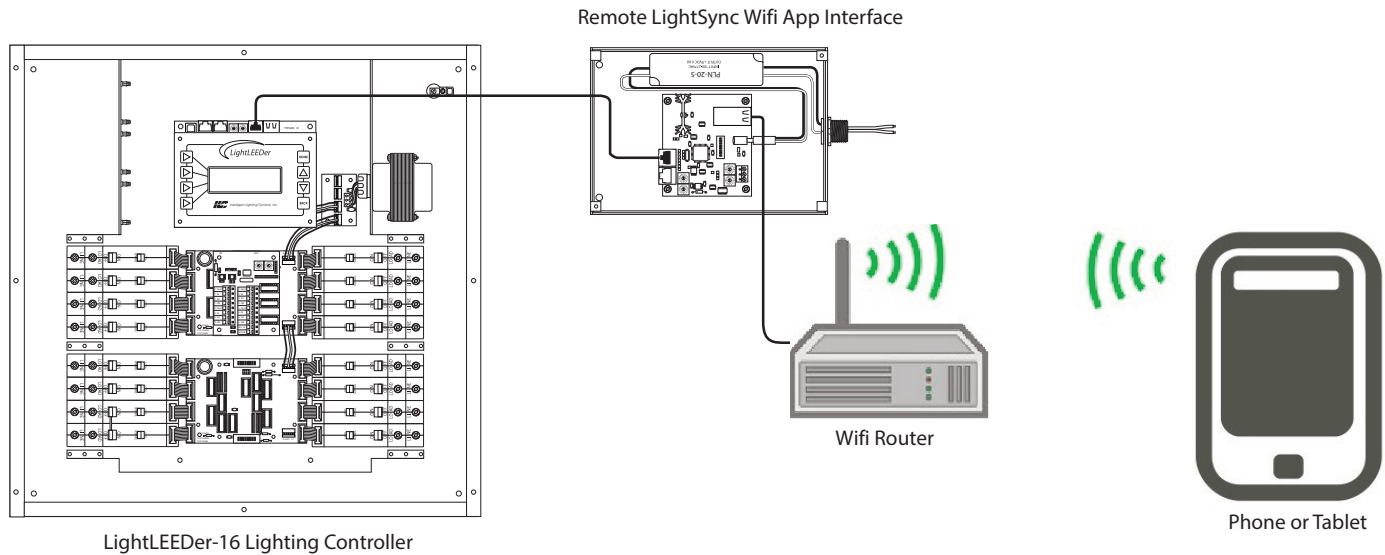
Ordering

Download app from the Google Play Store
See LightSync Wifi App Interface cut-sheet for hardware information

LightLEEDer

Mobile LightSync Link App

Physical



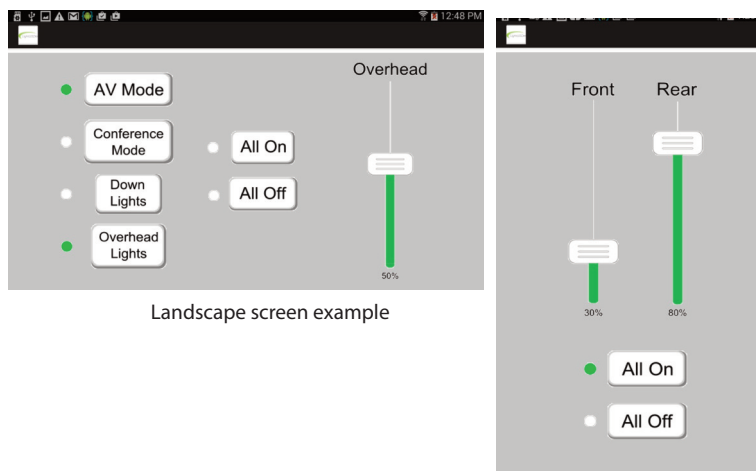
Specifications

Required Hardware:

- Android cell phone or tablet
- Wifi router
- LightSync Wifi App Interface

Android Requirements:

- Phone or tablet
- Minimum Android Version 4.1 Jelly Bean
- Wifi enabled



Landscape screen example