

Overview

The security touch switch station offers a durable push-button or optional piezo switch that is designed to control lighting control panels or DuraTouch modules. This switch is ideal for security or severe use environment installations where an impact resistant, durable switch is required. This switch may be individually programmed to control any relay, group or preset throughout the network. Switch face plates are made of 10AWG steel and painted with a durable white powder coat.



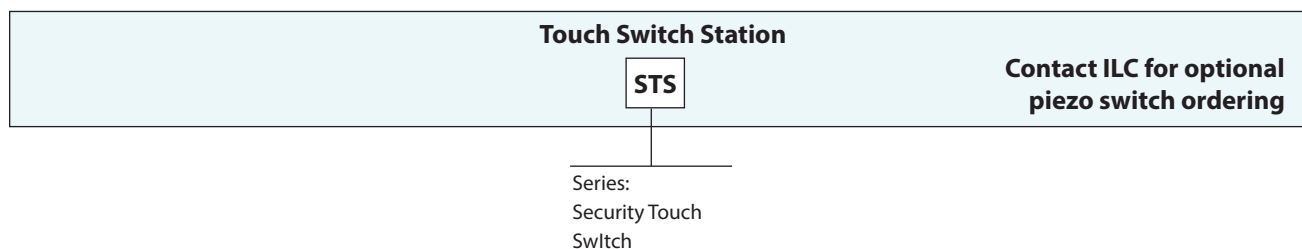
Features

- **Made in the USA**
- **Durable** vandal resistant switch station
- **Life expectancy** up to 50 thousand cycles
- **Plate** is made of 10 AWG steel
- **Stainless steel** push-button switch or optional piezo switch
- **Program** each button to control any relay, group, or preset
- **Mounts** in a standard single gang box
- **Security** screws provided
- **Wire Pigtails** provided for easy installation
- **Painted** with durable white powder paint
- **Custom** configurations available

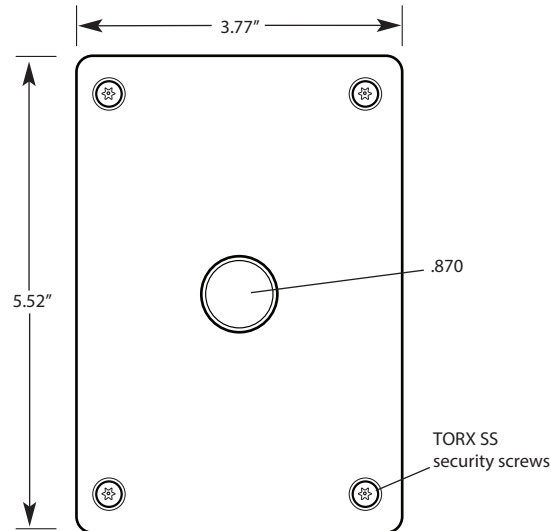
Warranty

Six-year limited warranty

Ordering



Physical



Specifications

Physical:

- 10AWG steel plate
- White powder coat paint
- Standard single gang mounting
- Stainless steel pushbutton
- Pig tail wires for termination
- Engraving up to 10 characters are available

Switch:

- Stainless steel
- Diameter of .870
- NO - SPST
- Status LED included

Electrical:

- Current/voltage: 2A @ 24VDC

Operating Environment:

- Location: Interior space
- Operating Temp: -20 to 55 C
- Humidity: 10% - 90% non-condensing
- Atmosphere: Non-explosive/corrosive
- Vibration: Stationary