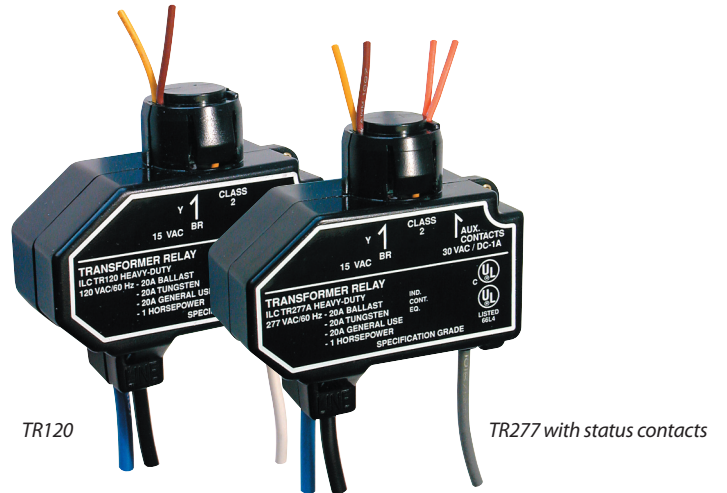


Overview

The ILC TR relay provides a unique solution for remote control and panel mount control applications. Because each relay has its own internal power supply, it can be mounted virtually anywhere without additional transformers or power supplies. By incorporating a unique single moving dual contact design, both endurance and reliability are significantly enhanced. TR relays are magnetically latched, requiring only a momentary rectified pulse to open or close the contacts.

Isolated pilot contacts are available for indication of relay status at the switch stations. Available TR-Retro relays automatically turn on upon power-up and require a momentary closure to turn the relay on and off.



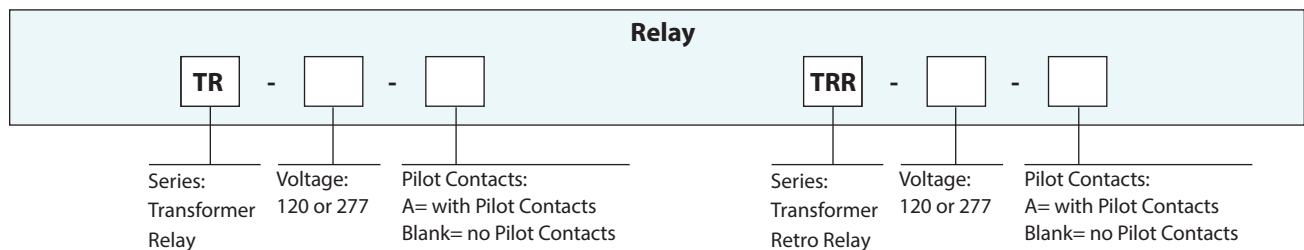
Features

- **Made in the USA**
- **Magnetically held** relay maintains position without the presence of power, saving energy
- **Suitable** for controlling all lighting loads
- **SPST** maintained contacts
- **Single moving** contact design
- **Status contacts** available for signaling relay state
- **Relay contacts** consists of 2 nickel-silver contacts designed for high current loads
- **Termination** leads for line, load, neutral, and control connections
- **Mounts** in any standard 1/2" knockout
- **Operates** in any position
- **Endurance** tested independently to 1,000,000 cycles
- **Retrofit relays** can be used with existing HV switches and go to the ON state upon power-up

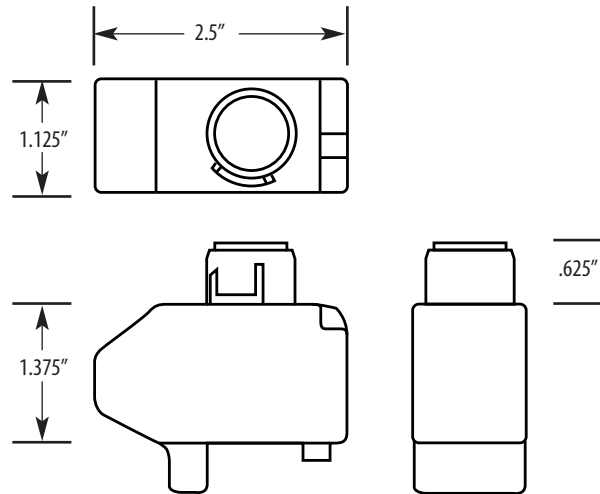
Warranty

Six-year limited warranty

Ordering



Physical



Specifications

Physical:

- 1.125" Wide x 1.375" High x 2.5" Long
- Mounts in standard 1/2" knockout
- Termination wires for high and low voltage connections
- Clearly marked connection designations

Low Voltage:

- Momentary positive or negative rectification for control (TR-Retro momentary dry contact 3 wire control)
- Momentary duty rating
- 50 milliseconds minimum activation time
- 50 to 55 Ω coil resistance
- 1A @ 30 VDC/VAC status contacts

Electrical:

- 120 or 277VAC
- 20 Amp ballast loads
- 20 Amp tungsten loads
- 20 Amp general loads
- 1 Hp @120VAC motor loads

Operating Environment:

- Location: Interior Space
- Operating Temp.: 0° to 60° C
- Humidity: 10% to 90% Non-condensing
- Atmosphere: Non-explosive/corrosive
- Vibration: Stationary

Certifications:

- UL
- CUL
- FCC

Warranty:

- 3 years