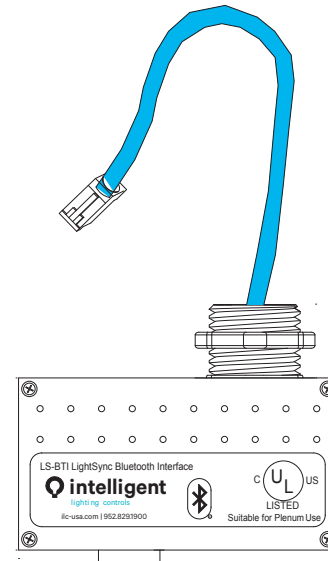


## LightSync Digital

## Bluetooth Interface

### Overview

The LightSync Bluetooth Interface is a remote mounted Bluetooth transceiver device for connecting from the ILC Pro App to an EVO panel. The LSBTI module can be easily installed directly on the side of an EVO panel and plugs directly into the local bus port. With this interface the user can control or configure the EVO panel using the ILC Pro App. The LSBTI can be mounted to a 1/2" K.O. at the EVO or remotely in the Local LS network of the EVO panel.



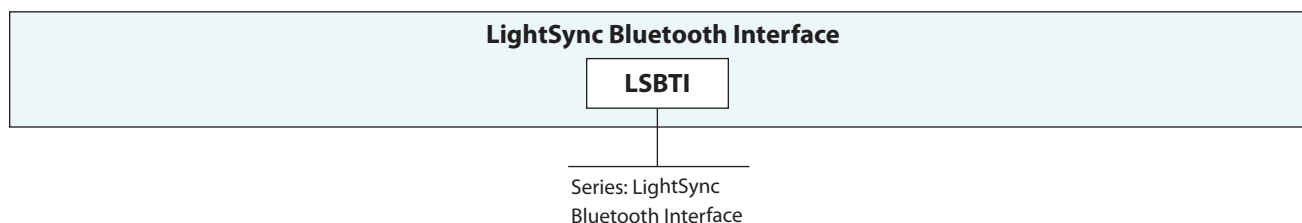
### Features

- **Made in the USA**
- **Digital CAT 5** ready
- **Bluetooth** communication
- **50 + Feet** of RF range
- **Easy mounting** to an EVO panel
- **Control and Configuring** of EVO panel using ILC Pro app
- **Plenum** rated Assembly
- **CAT-5 cable** provided for connection to Local LS port of panel
- **Pass-Thru** RJ-45 out port
- **Powered** from the LightSync bus
- **No addressing** or physical set-up required

### Warranty

Five-year limited warranty

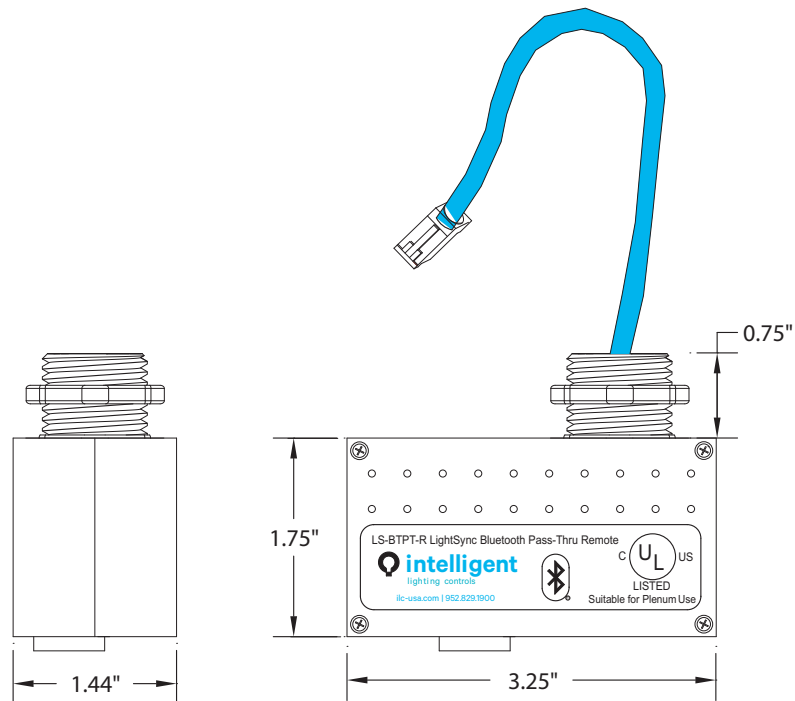
### Ordering



## LightSync Digital

## Bluetooth Interface

## Physical



## Specifications

**Physical:**

- Dimensions 3.25" x 1.75" x 1.44"
- Standard 1/2" KO mounting
- 6" CAT-5 cable for connection to LS Local port
- RJ-45 Pass-Thru out port
- Black ABS plastic enclosure

**Electrical:**

- Powered from Local LightSync network
- 12VDC

**Operating Environment:**

- Location: Interior Space
- Operating Temp.: 0° to 50° C
- Humidity: 10% to 90% Non-condensing
- Atmosphere: Non-explosive/corrosive
- Vibration: Stationary

**Certifications:**

- UL and CUL Listed
- Plenum rated