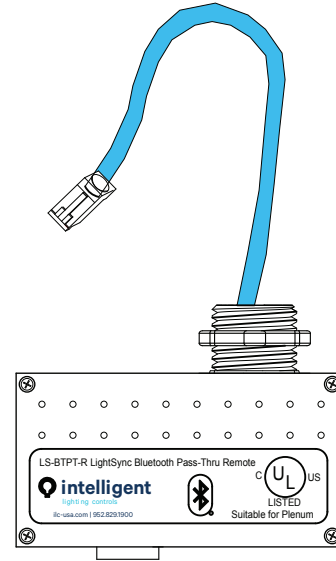


LightSync Digital **Bluetooth Pass-Thru Remote**

Overview

The LightSync Bluetooth Pass-Thru Remote interface module is a remote mounted Bluetooth transceiver device for connecting from the EVO Bluetooth App to an EVO panel. The LS-BTPT-R module can be easily installed directly on the side of an EVO panel and plugs directly into the local bus port. With this interface the user can control or configure the EVO panel using the EVO-BT App. The LS-BTPT-R can be mounted to a 1/2" K.O. at the EVO or remotely in the Local LS network of the EVO panel.



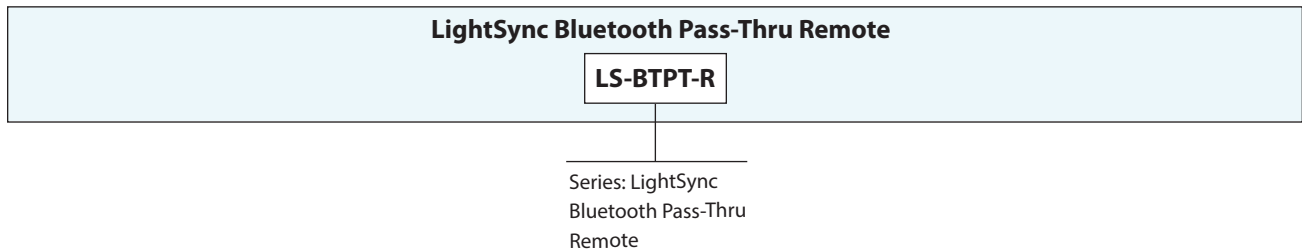
Features

- **Made in the USA**
- **Digital CAT 5** ready
- **Bluetooth** communication
- **50 + Feet** of RF range
- **Easy mounting** to an EVO panel
- **Control and Configuring** of EVO panel using EVO-BT app
- **Plenum** rated Assembly
- **CAT-5 cable** provided for connection to Local LS port of panel
- **Pass-Thru** RJ-45 out port
- **Powered** from the LightSync bus
- **No addressing** or physical set-up required

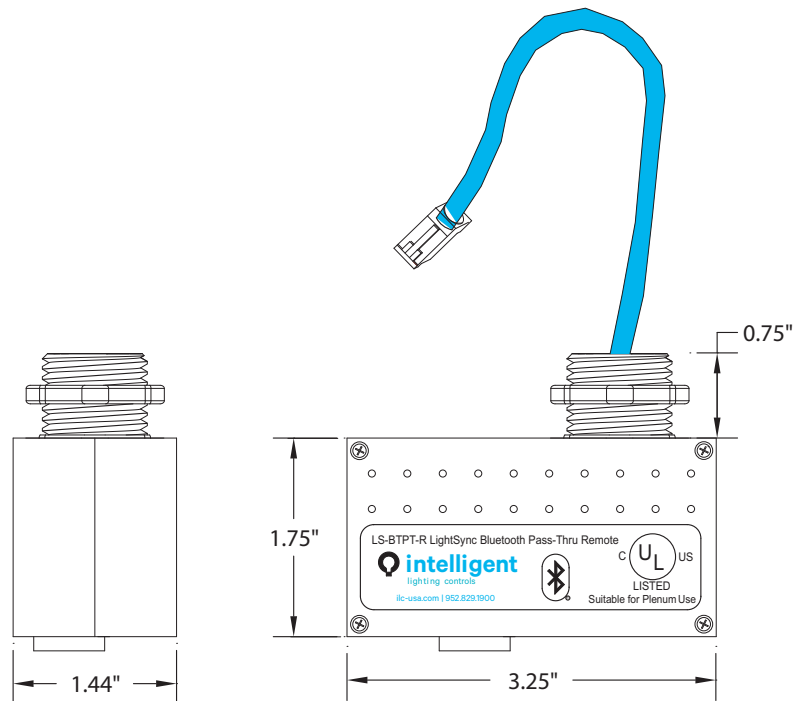
Warranty

Six-year limited warranty

Ordering



Physical



Specifications

Physical:

- Dimensions 3.25" x 1.75" x 1.44"
- Standard 1/2" KO mounting
- 6" CAT-5 cable for connection to LS Local port
- RJ-45 Pass-Thru out port
- Black ABS plastic enclosure

Electrical:

- Powered from Local LightSync network
- 12VDC

Operating Environment:

- Location: Interior Space
- Operating Temp.: 0° to 50° C
- Humidity: 10% to 90% Non-condensing
- Atmosphere: Non-explosive/corrosive
- Vibration: Stationary

Certifications:

- UL and CUL Listed
- Plenum rated