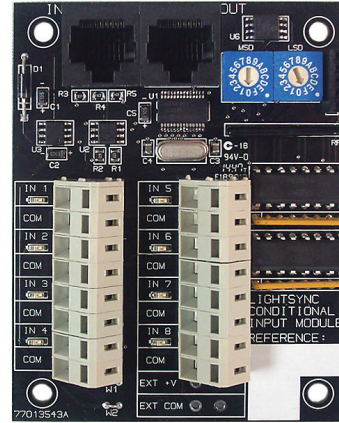


LightSync Digital **Conditional Input Module**

Overview

The LightSync Digital Conditional Input Module is designed to accept up to 8 hardwired switch inputs. The LSCIM comes pre-configured as a standard input module and contains programmable conditionals for each input. This allows you to utilize “AND”/“OR” logic schemes for any combination of inputs and pilots. Any input can be programmed to control any relay(s), group(s), or preset(s) in any or all panels. Each input has an associated LED on the board that activates when the input is closed.



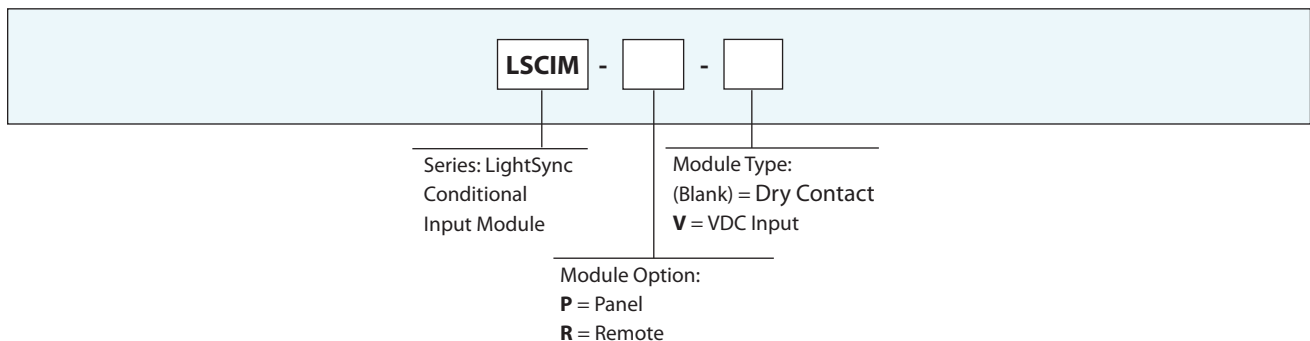
Features

- **Made in the USA**
- **Digital CAT-5 Ready**
- **8 conditional** inputs per module
- **Conditional input module** enhances current LightLEEDer conditionals
- **Digitally addressable** device for a unique address
- **Panel mount (P)** installs directly in the panel
- **Remote mount (R)** provided with 4-11/16" J- box
- **Connectors** are an easy non-screw push-to-connect type
- **Optically isolated** inputs to protect the electronics
- **Accepts** dry contact closures or open collector inputs
- **Optional** module for 12 - 24 VDC signals
- **Accepts 2 wire** momentary or maintained switch closures
- **Switch closure LED** status is provided for each input

Warranty

Five-year limited warranty

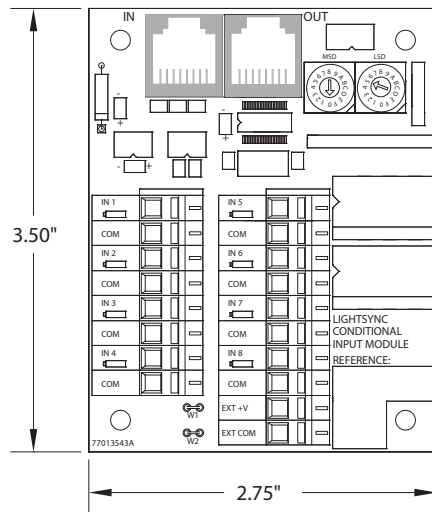
Ordering



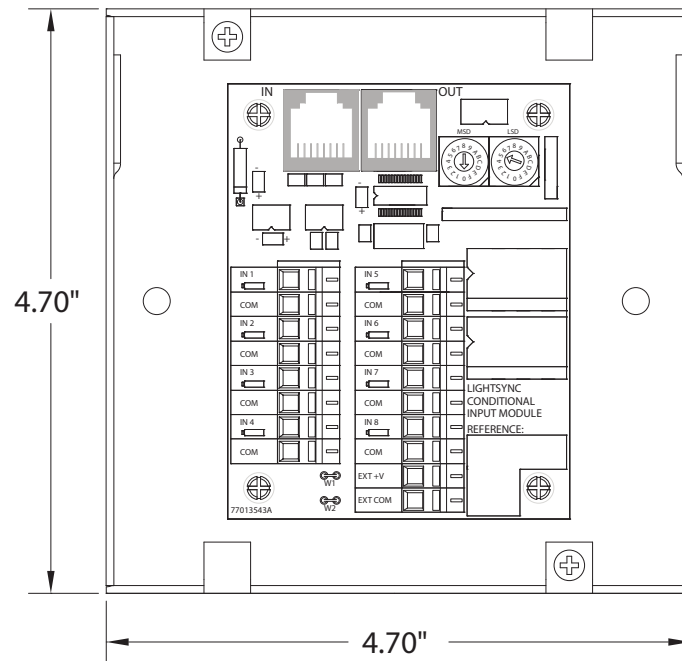
LightSync Digital

Conditional Input Module

Physical



Panel Mount



Remote Mount

Specifications

Safeguards:

- Optically isolated inputs eliminate issues connecting systems together

Physical:

- 2.75" Wide X 3.5" High
- Easy non-screw push-to-connect terminals
- Digital addressing switches
- Status LED for each input
- RJ45 connectors for data line connection
- R option provided with 4-11/16" junction box

Electrical:

- Powered from the panel or from the LightSync network

Operating Environment:

- Location: Interior space
- Operating Temperature: 0° to 50° C
- Humidity: 10% - 90% Non-condensing
- Atmosphere: Non-explosive/corrosive
- Vibration: Stationary

Certifications and Approvals:

- UL CUL
- FCC Part 15