

LightSync Digital

Data Line Disable Key Switch Station

Overview

The LightSync Digital Data Line Disable Key Switch Station provides an extra level of security by disabling all LightSync devices down from the disable switch. Ideal for areas with switches that require control functions to be limited or locked out. Switch stations have a high quality 5-tumbler key switch and status LED. Key Switches stations are available in four colors and stainless steel.



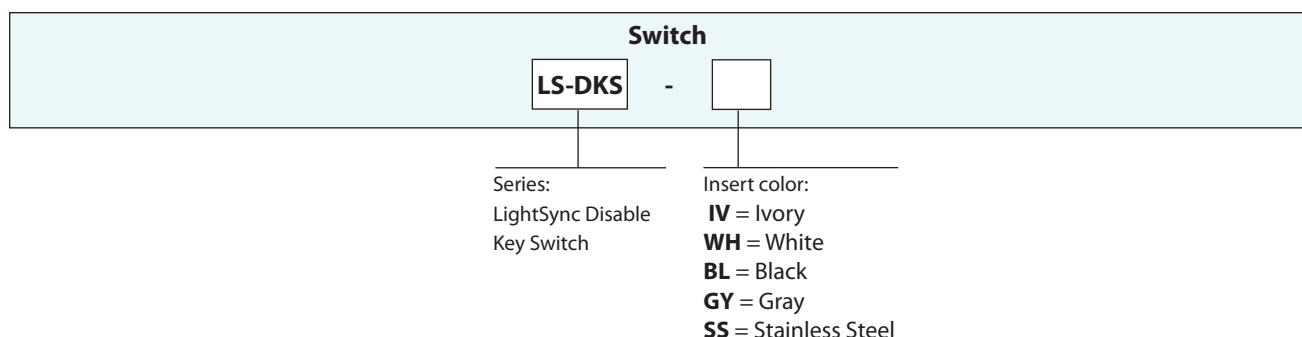
Features

- **Made in the USA**
- **Digital CAT-5 Ready**
- **Disables** LightSync devices on the data line
- **Feed-through** allows for normal data line communication
- **Key Switch** maintained type with removable key
- **Secure** 5-tumbler high quality switches
- **Status LED** indicates disable state
- **Key Switch Stations** are available in white, ivory, gray, black, and stainless steel
- **Mounts** in a standard single gang box
- **Mount** anywhere on the LightSync network
- **Self-powered** from the network

Warranty

Five-year limited warranty

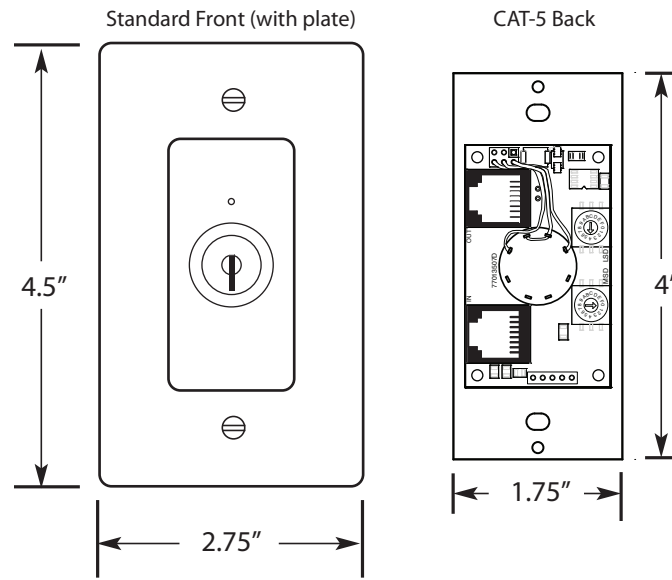
Ordering



LightSync Digital

Data Line Disable Key Switch Station

Physical



Specifications

Physical:

- Standard single gang mounting
- Data in, data out, and data disable out ports
- RJ45 connectors provided for easy connection
- Mounting screws provided
- Laser engraving up to 10 characters available
- Available in ivory, white, black, gray, and stainless steel

Switches:

- Maintained SPST key removable in "on" or "off" position

Electrical:

- Powered from the panel or LightSync network

Operating Environment:

- Location: Interior space
- Operating Temp.: 0° to 50° C
- Humidity: 10% - 90% Non-condensing
- Atmosphere: Non-explosive/corrosive
- Vibration: Stationary

Certifications and Approvals:

- UL
- FCC Part 15