

**LightSync Digital** **Data Line Key Switch**

### Overview

The LightSync Digital data line key switch provides an extra level of security and limits access to only those who possess the key. Switch stations have a high quality 5-tumbler key switch and status LED. Key switches may be programmed to control any relay(s), group(s) or preset(s) throughout the network. Switch faceplates are available in four colors, stainless steel, and brushed aluminum and are supplied with matching Decora® switch plates.



Standard cover

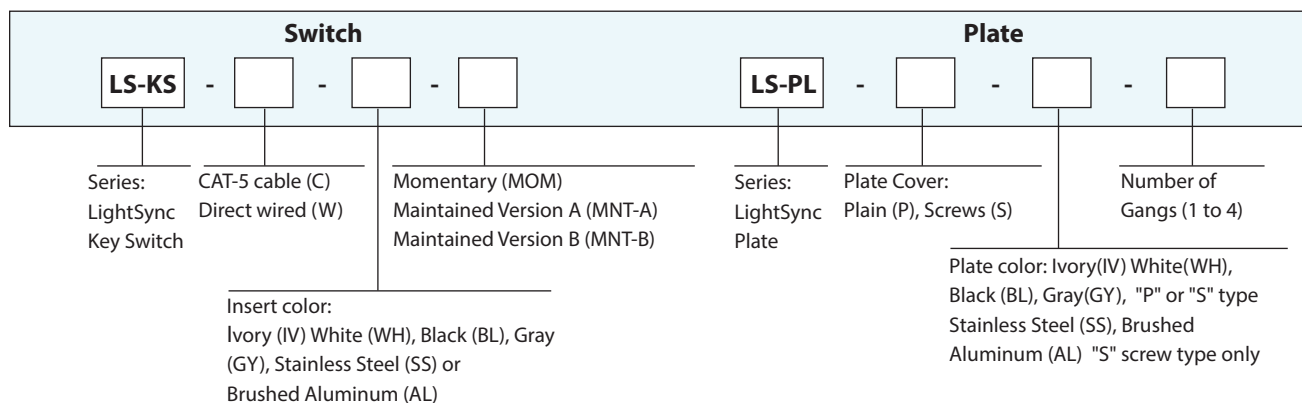
### Features

- **Made in the USA**
- **Digital CAT-5 Ready**
- **Data line** key switch station
- **Switches** supplied with momentary or maintained closures
- **Secure** 5-tumbler high quality switches
- **Program** to control to control any relay(s), group(s) or preset(s)
- **Status LEDs** for indicating the true state of a relay, group or preset
- **Faceplates** are available in white, ivory, gray, black, stainless steel and brushed aluminum
- **Mounts** in a standard single gang box
- **Engraving** is available for switch identification
- **Remote mount** anywhere on the LightSync network
- **Self powered** from the network
- **Addressable** rotary switches
- **Decora®** style matching switch plate provided
- **Hardwired** version available

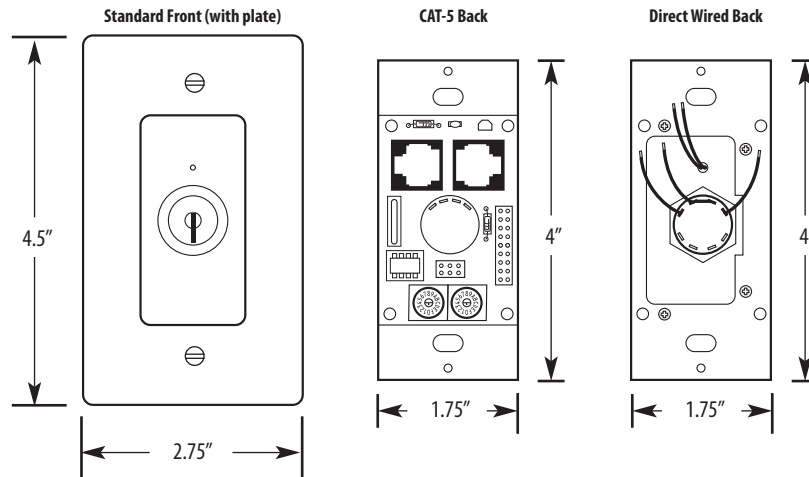
### Warranty

Six-year limited warranty

### Ordering



## Physical



## Specifications

### Physical:

- Standard single gang mounting
- Digital addressing switches
- RJ45 connectors provided for easy connection
- Standard Screw plate or screwless plate available
- Mounting screws provided
- Laser engraving up to 10 characters provided
- Available in ivory, white, black, gray, stainless steel and brushed aluminum

### Switches:

- Momentary SPDT
- Maintained SPDT (on-off-on) key removable in "on" position (Version A)
- Maintained SPDT (on-off-on) key removable in "off" position (Version B)

### Switch Plates:

- Brushed Aluminum (visible screws)
- Stainless Steel (visible screws)
- Painted (visible screws)
- Optional Lexan® Screwless

### Electrical:

- Powered from the panel or LightSync network

### Operating Environment:

- Location: Interior space
- Operating Temp.: 0° to 50° C
- Humidity: 10% - 90% Non-condensing
- Atmosphere: Non-explosive/corrosive
- Vibration: Stationary

### Certifications and Approvals:

- FCC Part 15