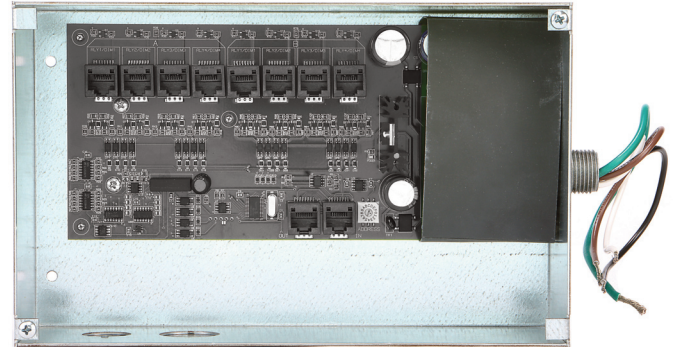


LightSync Digital

EVO-4X, -8X

Overview

The LightSync EVO-4X, -8X is a distributed lighting control panel that simplifies installation. This panel expands any LightLEEDer or LLEVO controller to operate 4 or 8 additional R20D relays for up to 20 relays per controller. R20D relays are remote mounted and connect using standard CAT-5 cable. The R20D relay is provided with line voltage and the 0-10V dimming control wire leads for easy connection to your loads.



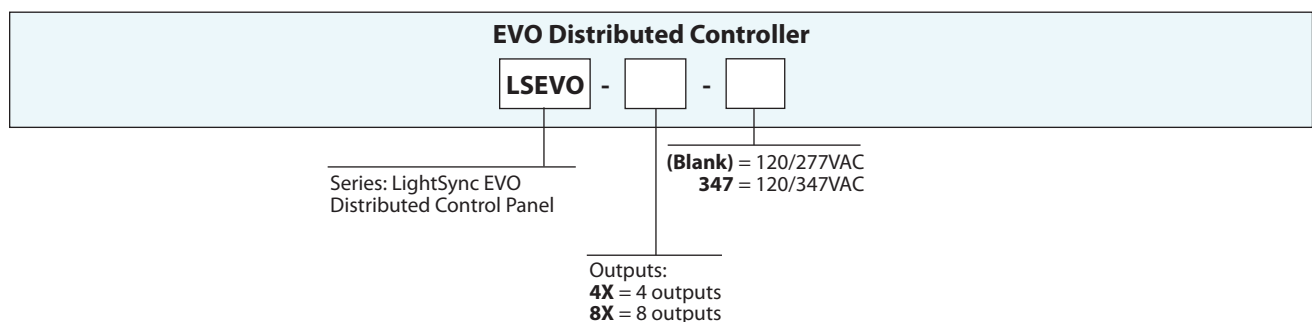
Features

- **Made in the USA**
- **Distributed** lighting controller
- **Expands Outputs** from any LLEVO or LightLEEDer controller
- **Remote** mounted relay for direct connection to loads
- **Galvanically Isolated** 0-10V dimming for up to 8 zones
- **Networked** with any LLEVO or LightLEEDer controller
- **Time clock** provided by LLEVO or LightLEEDer controller
- **RJ45 connectors** for R20 relays and In-Out from LightLEEDer controller bus
- **Plenum** rated mounting

Warranty

Five-year limited warranty

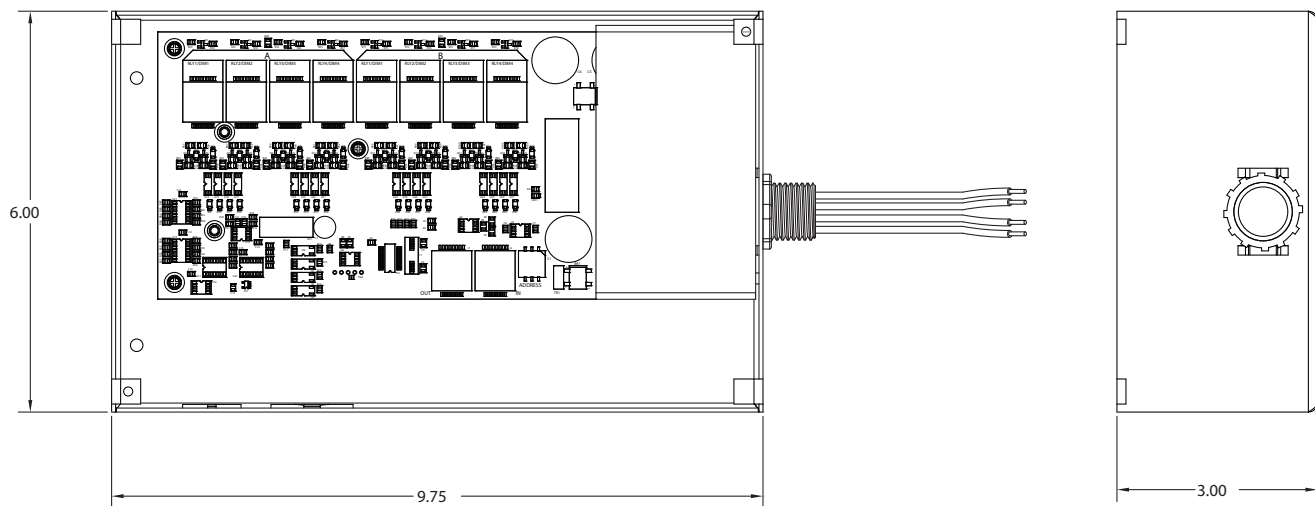
Ordering



LightSync Digital

EVO-4X, -8X

Physical



Specifications

Safeguards:

- Power surge and spike suppression up to 123 volts on the 20VAC power input to controller
- Galvanically isolation to 1500V for the 0-10VDC dimmer outputs, with revert to 100% on power loss

Physical:

- Enclosure: 9-3/4" x 6" x 3" NEMA 1
- Galvanized steel enclosure and screw cover
- Provided with pre-drilled mounting holes
- High voltage barrier separates Class 2 wiring
- 1/2" nipple for mounting to electrical box
- 6" wire leads for high voltage connections
- RJ45 connectors provide for easy connection
- Plenum rated mounting

Electrical:

- 120/277VAC @.6 amps (120/347VAC Optional)
- Dimming: 10VDC 100mA sink per relay

Operating Environment:

- Location: Interior space
- Operating Temperature: 0° to 50° C
- Humidity: 10% - 90% Non-condensing
- Atmosphere: Non-explosive/corrosive
- Vibration: Stationary

Certifications and Approvals:

- UL and CUL listed
- FCC Part 15
- Title 24
- ASHRAE compliant
- IECC compliant