

LightSync Digital

G2 Multi-Zone Dimmer Switch Station

Overview

The LightSync Digital G2 Multi-Zone Dimmer Switch Station provides control of up to 4 dimmer zones. It provides on/off control and individual/grouped zone dimming with press and hold control. The G2 switch is available in 1, 2, 3, or 4 zone control configurations. This dimmer switch allows the user to select individual or multiple dimmer zones to be controlled at the same time. Uses standard LightSync device addressing, and ramp up/ramp down control.



Available in White , Ivory and Gray

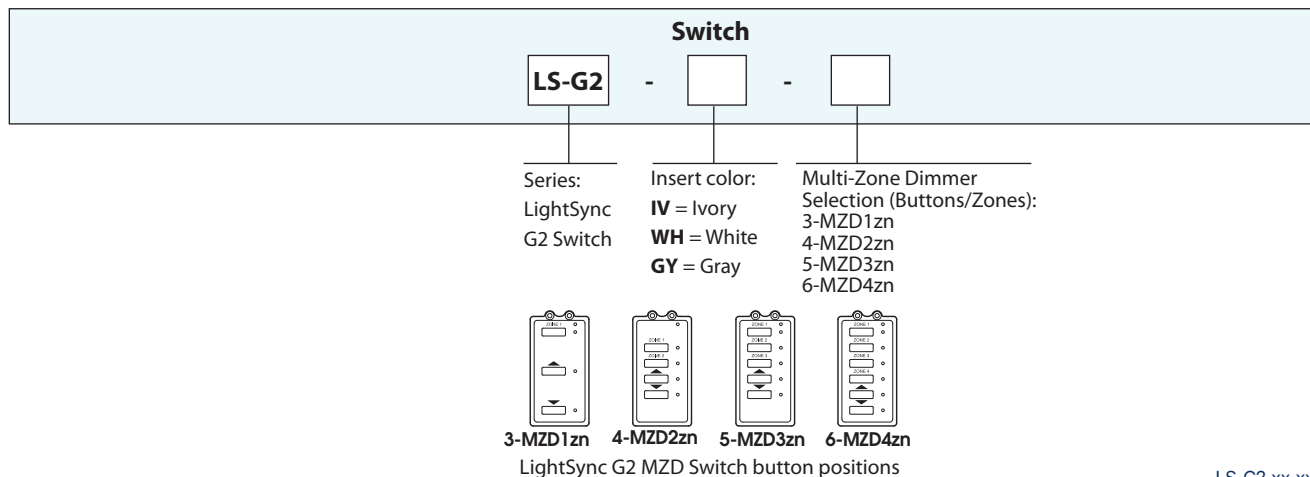
Features

- **Made in the USA**
- **Digital CAT 5** ready
- **Data Line switch station** for control of any relay, group of relays, or presets
- **Multi-Zone Dimming** for up to 4 zones
- **Zone Buttons for On/Off** control of relay, group, or preset
- **Raise and Lower Buttons** for ramp up and ramp down feature
- **Press and Hold** dimming operation
- **Switch Locator LED** helps find the switch in a dark room
- **Status LED's** indicate the true state of a relay, group or preset
- **Laser engraving** is available for switch identification
- **Remote mount** anywhere on the LightSync network
- **Self powered** from the network
- **Addressable** rotary switches
- **Available in white, ivory, or gray**

Warranty

Five-year limited warranty

Ordering

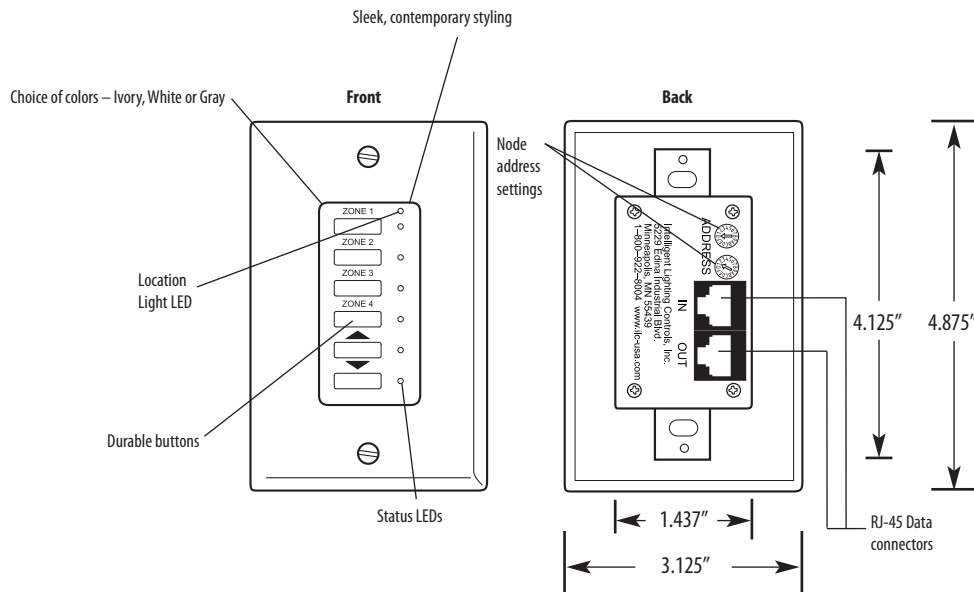


LS-G2-xx-xx Rev.B

LightSync Digital

G2 Multi-Zone Dimmer Switch Station

Physical



Specifications

Physical:

- Standard single gang mounting
- Digital addressing switches
- RJ45 connectors provided for easy connection
- Mounting screws provided
- Laser engraving up to 10 characters

Electrical:

- Powered from the panel or LightSync network

Operating Environment:

- Location: Interior space
- Operating Temp.: 0° to 50° C
- Humidity: 10% - 90% Non-condensing
- Atmosphere: Non-explosive/corrosive
- Vibration: Stationary

Certifications and Approvals:

- UL CUL
- FCC Part 15