

**LightSync Digital** **G2 Switch Station**

### Overview

The LightSync Digital G2 Switch Station is a robust and durable data line device. Switch stations are available with 1 to 6 pushbuttons and have a status LED associated with each button, along with a locator LED that is always lit. Each button may be individually programmed to control any relay(s), group(s) or preset(s) throughout the network. Switch faceplates are removable and can be laser etched for switch identification.



Available in White , Ivory and Gray

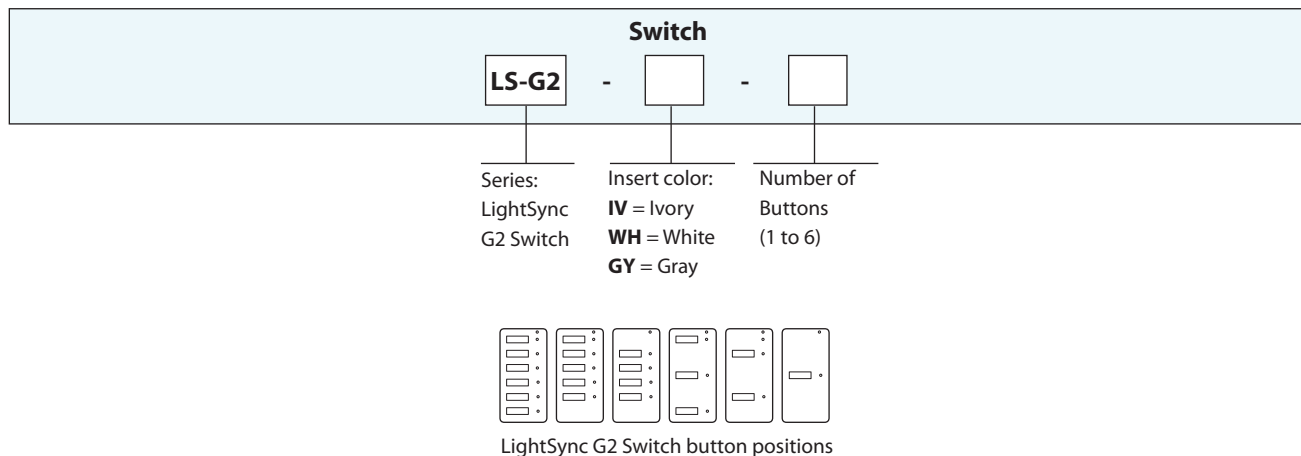
### Features

- **Made in the USA**
- **Digital CAT 5** ready
- **Data line** switch station for control of any relay, group of relays, or preset
- **Buttons range** from 1 to 6 per station
- **Switch locator LED** helps find the switch in a dark room
- **Status LEDs** indicate the true state of a relay, group or preset
- **Mounts** in a standard single gang box
- **Laser engraving** is available for switch identification
- **Remote mount** anywhere on the LightSync network
- **Self powered** from the network
- **RJ45 connectors** provided for easy connection
- **Addressable** rotary switches
- **Available in white, ivory, or gray**

### Warranty

Five-year limited warranty

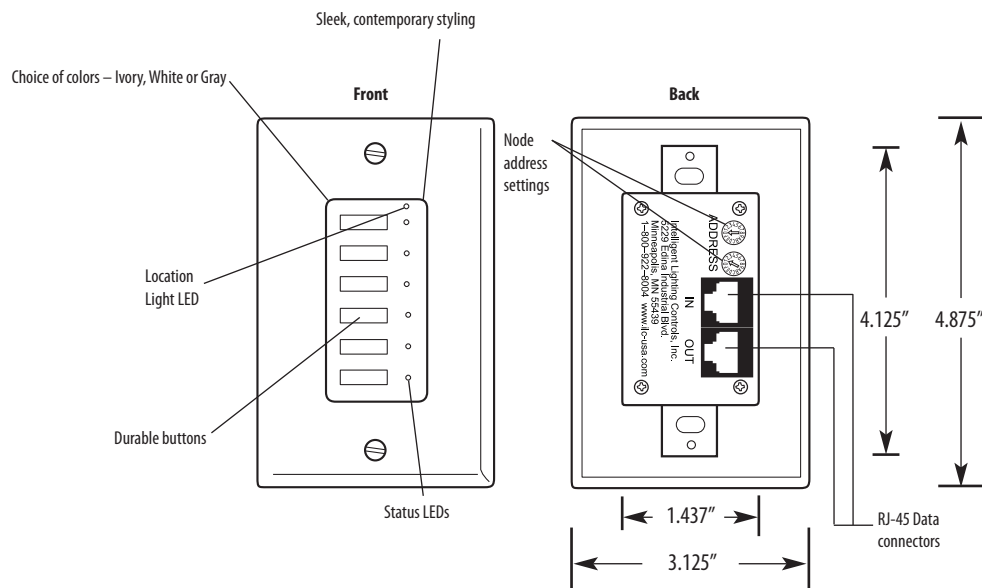
### Ordering



## LightSync Digital

## G2 Switch Station

## Physical



## Specifications

**Physical:**

- Standard single gang mounting
- Digital addressing switches
- RJ45 connectors provided for easy connection
- Mounting screws provided
- Laser engraving up to 10 characters

**Electrical:**

- Powered from the panel or LightSync network

**Operating Environment:**

- Location: Interior space
- Operating Temp.: 0° to 50° C
- Humidity: 10% - 90% Non-condensing
- Atmosphere: Non-explosive/corrosive
- Vibration: Stationary

**Certifications and Approvals:**

- UL CUL
- FCC Part 15