

LightSync Digital

G3 Data Line Switch Input

### Overview

The LightSync G3 data line switch station is a modern, versatile and easy to use digital switch station. The G3 can be pre-configured as a Multizone-Dimmer, Scene Switch, or a Non-Dim switch station. These will be configured for 1 to 7 buttons for standard load control, 1 to 6 buttons with dimming buttons for raise/lower or press and hold ramp-up/ramp-down operation that can be configured to dim all, or set to the dimmer outputs controlled. Buttons can be assigned to operate single relays, groups of relays, used for On or Off only operation, activating a relay preset or dimming scene. LED Status indicators for relays on, off, preset, or group state. MZD stations give the operator multi-zone and individual zone adjustment in a single station. LED status indicators for relays on, off, preset, or group state, when an individual zone is selected for dimming the LED will flash for that zone button. Button faces can be changed in the field for color or configuration, and the internal operation can be selected by placing the device in program mode locally, over the LightSync data bus using the diagnostic tool or from the LL-Pro programming software.



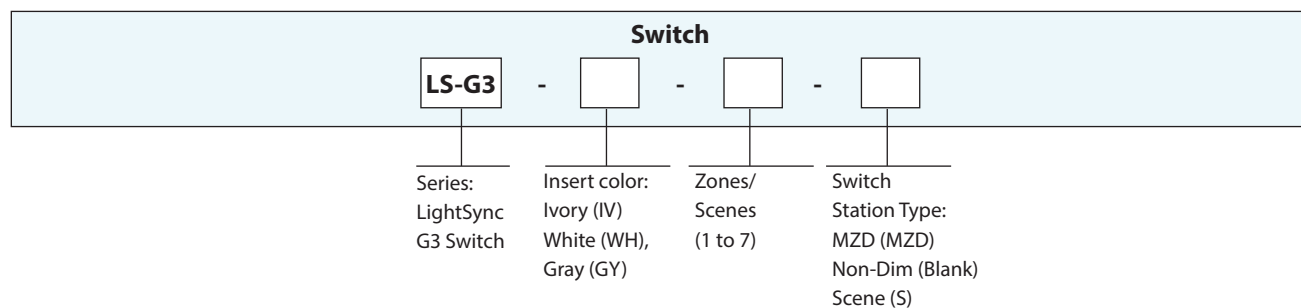
### Features

- **Made in the USA**
- **Digital CAT 5** ready
- **Data line** pushbutton switch station
- **1 to 6 button** zone control configuration
- **Multi-Zone Dimming** for up to 6 zones
- **Zone Buttons for On/Off** control any relay, group, or preset
- **Raise and Lower Buttons** for ramp up and ramp down feature
- **Press and Hold** dimming operation
- **Staus LED's** indicate true state of relay, group or preset
- **Switch Locator** LED helps find the switch in a dark room
- **Laser engraving** is provided and custom engraving is available
- **Symbols** available for standard labeling
- **Faceplate Change Kit** available for white, ivory, gray
- **Addressable** rotary switches
- **Decora®** style single-gang plastic switch plate provided, stainless steel plate available

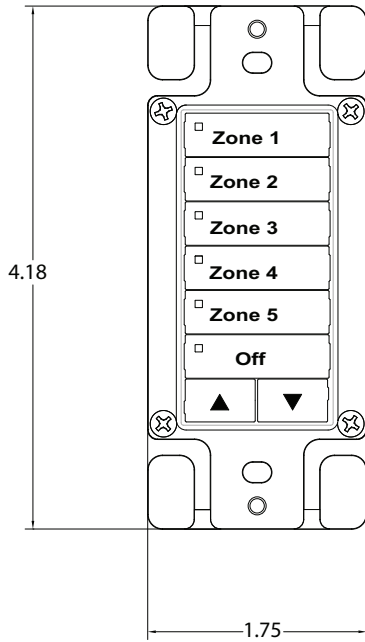
### Warranty

Six-year limited warranty

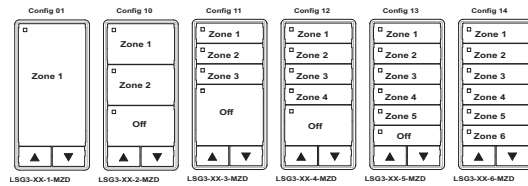
### Ordering



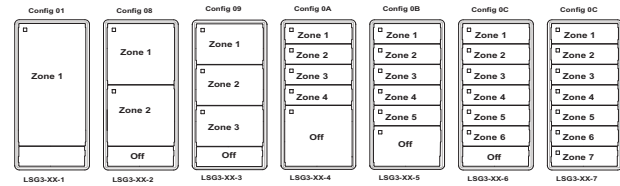
**Physical**



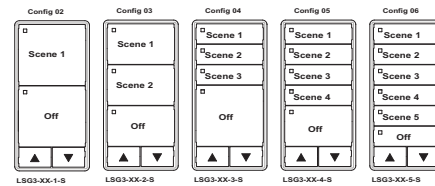
**MZD Stations**



**Non-Dim Stations**



**Scene Stations**



**Specifications**

**Physical:**

- Standard single gang mounting
- Digital addressing switches
- RJ45 connectors provided for easy connection
- Switch plate is made of Lexan with screws provided
- Mounting screws provided
- Laser engraving standard as shown
- Custom engraving available

**Electrical:**

- Powered from the panel or LightSync network

**Operating Environment:**

- Location: Interior space
- Operating Temp.: 0° to 50° C
- Humidity: 10% - 90% Non-condensing
- Atmosphere: Non-explosive/corrosive
- Vibration: Stationary

**Certifications and Approvals:**

- UL CUL
- FCC Part 15