

LightSync Digital **G3 Data Line Switch Input**

Overview

The LightSync G3 data line switch station is a modern, versatile and easy to use digital switch station. The G3 comes pre-configured as a Multi-Zone Dimmer, Scene Switch, Scene Multi-Zone Dimmer switch combination or a Non-Dim switch station. The MZD supports 1-6 zone, Scene stations have 1-5 Scenes, Scene MZD stations support a 2S/4Z, 3S/3Z or 4S/2Z combo, the Non-Dim has 1 to 7 buttons. The dimming buttons allow Press-and-Hold Ramp-Up/Ramp-Down operation, holding a zone button on an MZD will select that zone for individual dimming. Scene buttons can set a dimming Scene or Preset. The Scene/MZD combo stations provide both operations in one station saving cost. All scene buttons support capture of dimming levels to a scene by holding the scene button. G3 digital stations can control and display status for relays, groups, presets or scenes. Stations are also available with Bluetooth for programming and control from the EVO-BT app.



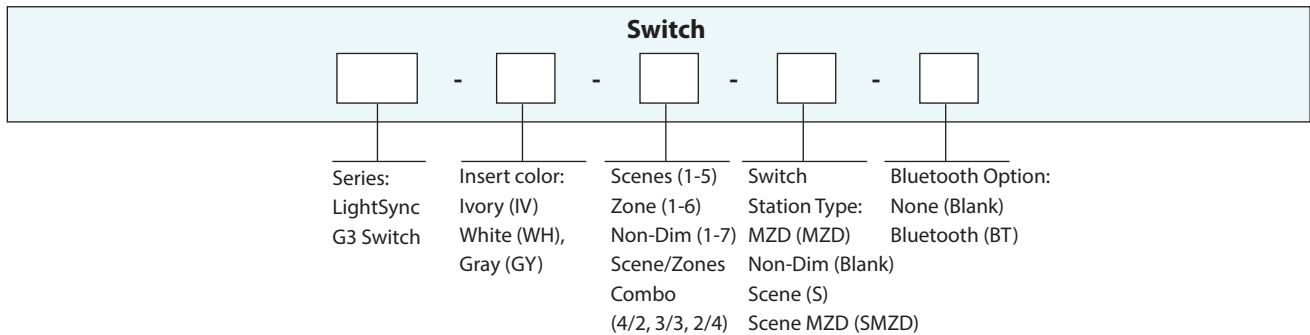
Features

- **Made in the USA**
- **Digital CAT 5** ready
- **Data line line digital** pushbutton switch station for control of any relay, group of relays, scene, or preset.
- **1 to 7 button** zone control configurations
- **Multi-Zone Dimming** for up to 6 zones and All-Off
- **Scene Station** with dimming for up to 5 scenes and All-Off
- **Scene Multi-Zone** with dimming combo for up to 4 Senses or Zones (2S/4Z, 3S/3Z or 4S/2Z) option
- **Scene Capture** operation for the all stations with scene buttons
- **Bluetooth** option for programming or control from EVO-BT app
- **Raise and Lower Buttons** for ramp up and ramp down feature
- **Press and Hold** dimming operation
- **Status LED's** indicate true state of relay, group, last scene or preset
- **Switch Locator** LED helps find the switch in a dark room
- **Laser engraving** is provided, and custom engraving is available
- **Faceplate Change Kit** available for white, ivory, gray
- **Internal configured** can be changed at the switch or with diagnostic tool app
- **Addressable** rotary switches
- **Decora®** style single-gang plastic switch plate provided, stainless steel plate available

Warranty

Six-year limited warranty

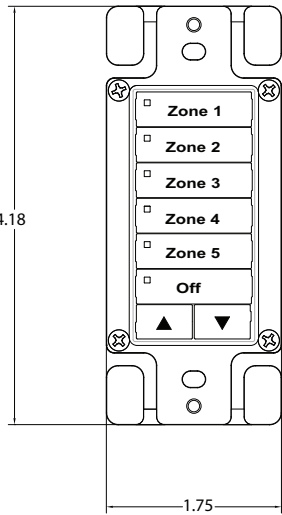
Ordering



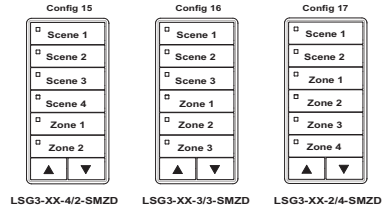
LightSync Digital

G3 Data Line Switch Input

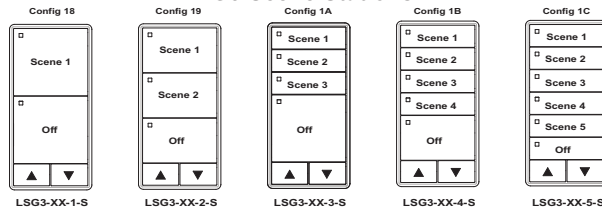
Physical



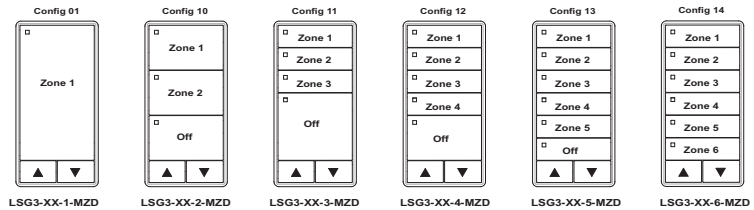
G3 Scene MZD Stations



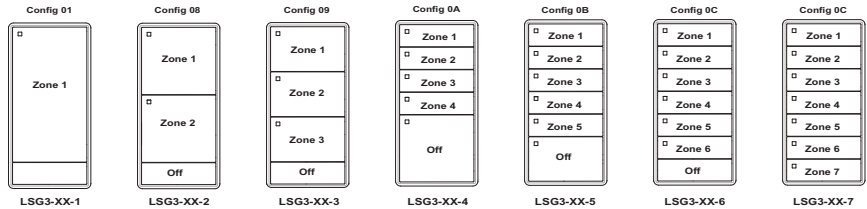
G3 Scene Stations



G3 MZD Stations



G3 Non-Dim Stations



Specifications

Physical:

- Standard single gang mounting
- Digital addressing switches
- RJ45 connectors provided for easy connection
- Switch plate is made of Lexan with screws provided
- Mounting screws provided
- Laser engraving standard as shown
- Custom engraving available

Electrical:

- Powered from the panel or LightSync network

Operating Environment:

- Location: Interior space
- Operating Temp.: 0° to 50° C
- Humidity: 10% - 90% Non-condensing
- Atmosphere: Non-explosive/corrosive
- Vibration: Stationary

Certifications and Approvals:

- UL CUL
- FCC Part 15