

LightSync Digital **G3 Switch**

Overview

The LightSync Digital G3 Switch Station is a modern, versatile and easy to use CAT-5 or 6 device. The G3 comes pre-configured as a Multi-Zone Dimmer, Scene Switch, Scene Multi-Zone Dimmer switch combination or a Non-Dim switch. The MZD supports 1-6 zone, Scene have 1-5 Scenes, Scene MZD stations support a 2S/4Z, 3S/3Z or 4S/2Z combo, the Non-Dim has 1-7 buttons. The dimming buttons allow Press-and-Hold Ramp-Up/Ramp-Down operation, holding a zone button on an MZD will select that zone for individual dimming. All scene buttons support capture of dimming levels to a scene by holding the scene button. G3 digital switches can control and display status for relays, groups, presets or scenes. Stations are also available with Bluetooth for programming and control from the ILC Pro app.



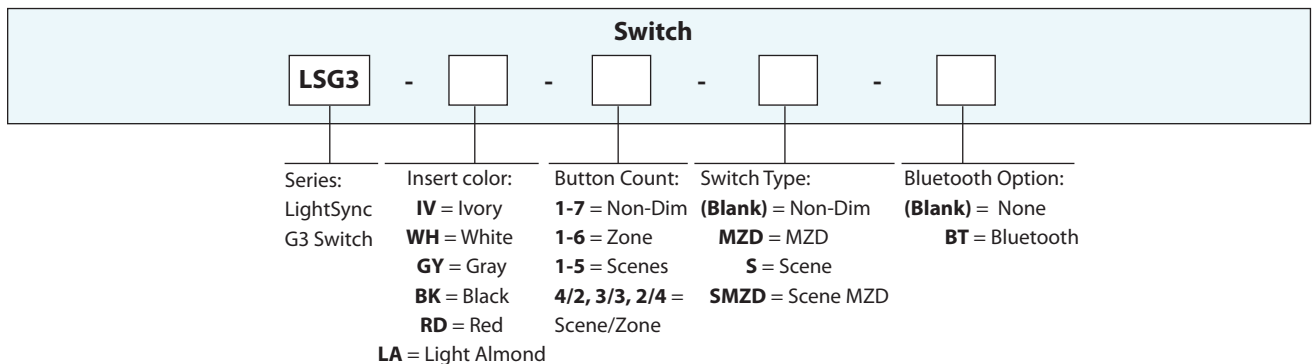
Features

- **Made in the USA**
- **Bluetooth** option for programming and control from EVO-BT app
- **Field Configurable** between multi-zone switches, scene switches and non-dim switches
- **1 to 7 button** zone control configurations
- **Multi-Zone Dimming** for up to 6 zones and All-Off
- **Scene Station** with dimming for up to 5 scenes and All-Off
- **Scene Multi-Zone** with dimming combo for up to 4 Scene or Zones (2S/4Z, 3S/3Z or 4S/2Z) option
- **Scene Capture** operation for all stations with scene buttons
- **Raise and Lower Buttons** for ramp up and ramp down feature
- **Press and Hold** dimming operation
- **Status LEDs** indicate true state of relay, group, last scene or preset
- **Switch Locator** LED helps find the switch in a dark room
- **Laser engraving** is provided, and custom engraving is available, Black and Red buttons are pad-printed
- **Color Change Kit** available for White, Ivory, Gray, Red, Black and Light Almond
- **Addressable** rotary switches
- **Decora®** style single-gang switch plate available upon request

Warranty

Five-year limited warranty

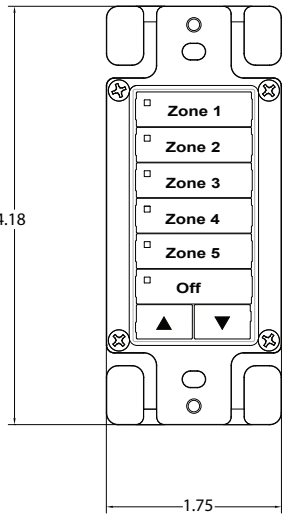
Ordering



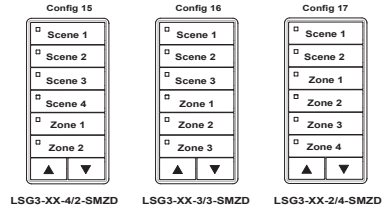
LSG3-xx-x-x Rev.C

LightSync Digital **G3 Switch**

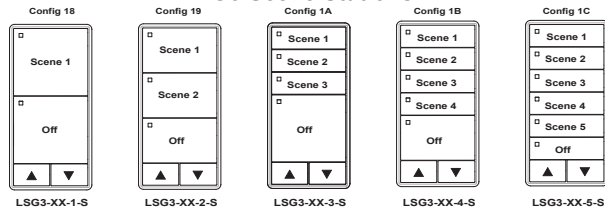
Physical



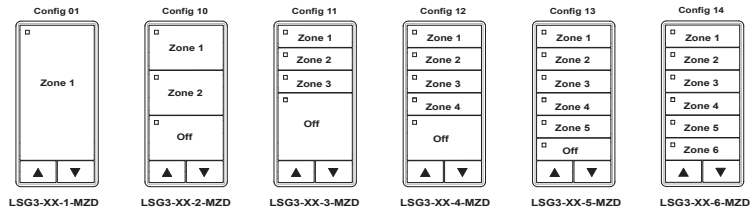
G3 Scene MZD Stations



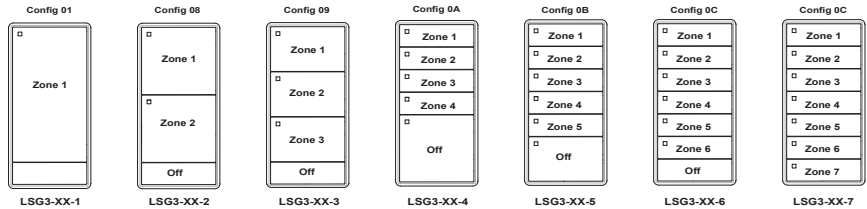
G3 Scene Stations



G3 MZD Stations



G3 Non-Dim Stations



Specifications

Physical:

- Standard single gang mounting
- Digital addressing switches
- RJ45 connectors provided for easy connection
- Mounting screws provided
- Laser engraving standard as shown, Black and Red buttons are pad-printed
- Custom engraving available

Electrical:

- Powered from the panel or LightSync network

Operating Environment:

- Location: Interior space
- Operating Temp.: 0° to 50° C
- Humidity: 10% - 90% Non-condensing
- Atmosphere: Non-explosive/corrosive
- Vibration: Stationary

Certifications and Approvals:

- UL CUL
- FCC Part 15