

LightSync Digital

G3 Wireless Switch

Overview

The LightSync Digital G3 Wireless Switch (LSG3-W) is a modern, versatile and easy to install wireless device. The LSG3-W switch can connect to ILC wireless relays in direct link mode or to the LLEVO-Wireless controller for networking. The LSG3-W is provided in all the standard G3 switch types. The MZD and Scene switch dimming buttons support Press-and-Hold Ramp-Up/Ramp-Down dimming. Holding a zone button on an MZD will allow a user to select that zone for individual dimming. Scene buttons set a dimming scene, holding the scene button will capture the current dimmer levels to the scene. The Scene/MZD combo switch provide both operations in one device saving installation cost. LSG3-W digital switch stations provide control of wireless relays and wired relays over the ILC network when linked to a EVO-W controller in the ILC network.



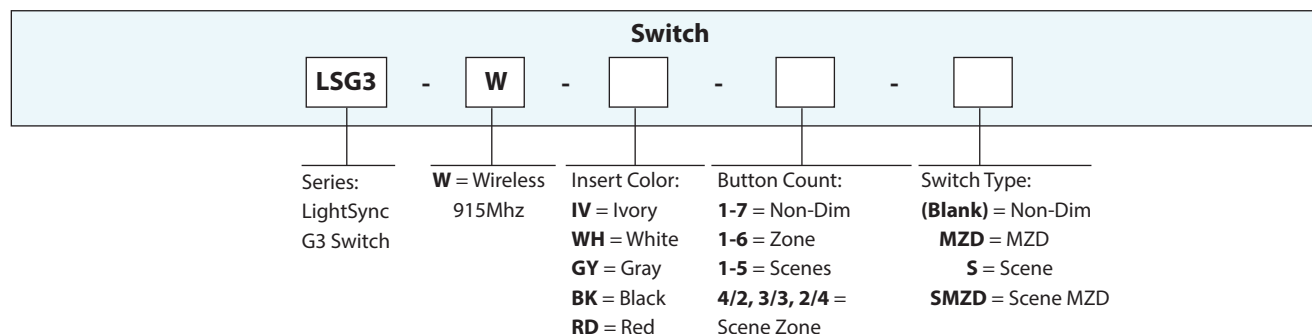
Features

- **Made in the USA**
- **Digital** 915Mhz radio communication with 50 foot line of sight range
- **10 Year** lithium battery
- **Direct Link** to wireless relays or networked with EVO-W controller
- **Unique ID** radio transmit code per switch station
- **Wireless switch** station for control of any relay, group of relays, dimmers, scene, or preset.
- **Non-Dim** 1 to 7 button control configurations
- **MZD** - Multi-Zone Dimming for up to 6 zones with All-Off
- **Scene Switch** with dimming for up to 5 scenes with Off
- **Scene/Multi-Zone** with dimming combo for up to 4 Scene's or Zone's (2S/4Z, 3S/3Z or 4S/2Z)
- **Scene Capture** operation for all stations with scene buttons
- **Press and Hold** dimming operation with raise and lower buttons for ramp-up and ramp-down dimming
- **Laser engraving** is provided, and custom engraving is available, Black and Red buttons are pad-printed
- **Color Change Kit** available for White, Ivory, Gray, Red and Black
- **Internal Configuration** can be changed at the switch
- **Decora®** style single-gang switch plate available upon request

Warranty

Six-year limited warranty

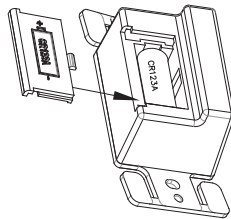
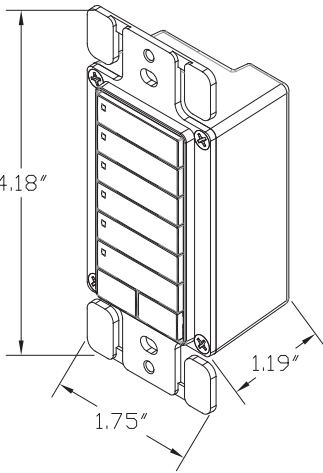
Ordering



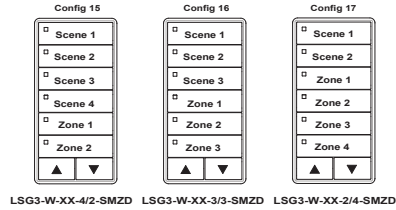
LightSync Digital

G3 Wireless Switch

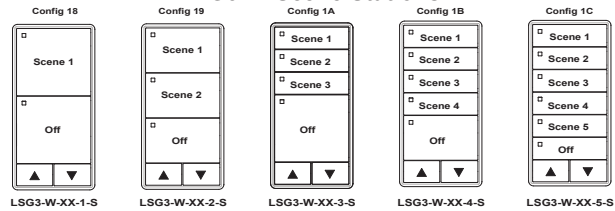
Physical



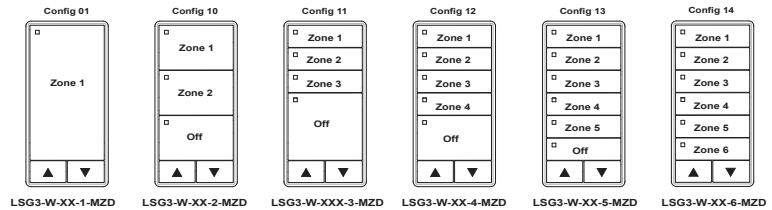
G3-W Scene MZD Stations



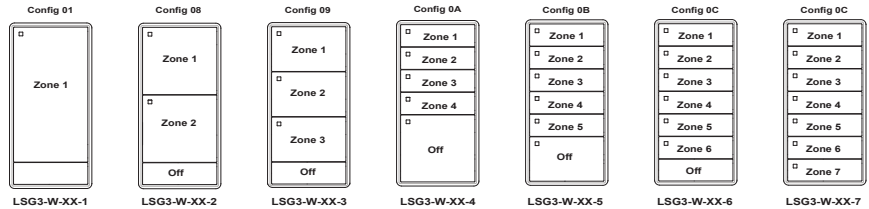
G3-W Scene Stations



G3-W MZD Stations



G3-W Non-Dim Stations



Specifications

Physical:

- Standard single gang mounting
- Unique ID factory set
- Wireless 915Mhz communication
- Lithium battery provided
- Mounting screws provided
- Laser engraving standard as shown, Black and Red buttons are pad-printed
- Custom engraving available

Operating Environment:

- Location: Interior space
- Operating Temp.: 0° to 50° C
- Humidity: 10% - 90% Non-condensing
- Atmosphere: Non-explosive/corrosive
- Vibration: Stationary

Certifications and Approvals:

- UL CUL
- FCC Part 15