

LightSync Digital

Intelligent Dimmer Control

Overview

The LightSync slide switch provides analog control of 0 to 10V dimming modules through the network data line. The switch is fully programmable for analog output range and can be set to turn loads "on" or "off" at any level with up to 8 individual set points. Each set point can control any relay anywhere in the network. Switch faceplates are available in four colors, stainless steel, and brushed aluminum and are supplied with matching switch plates.



Standard cover

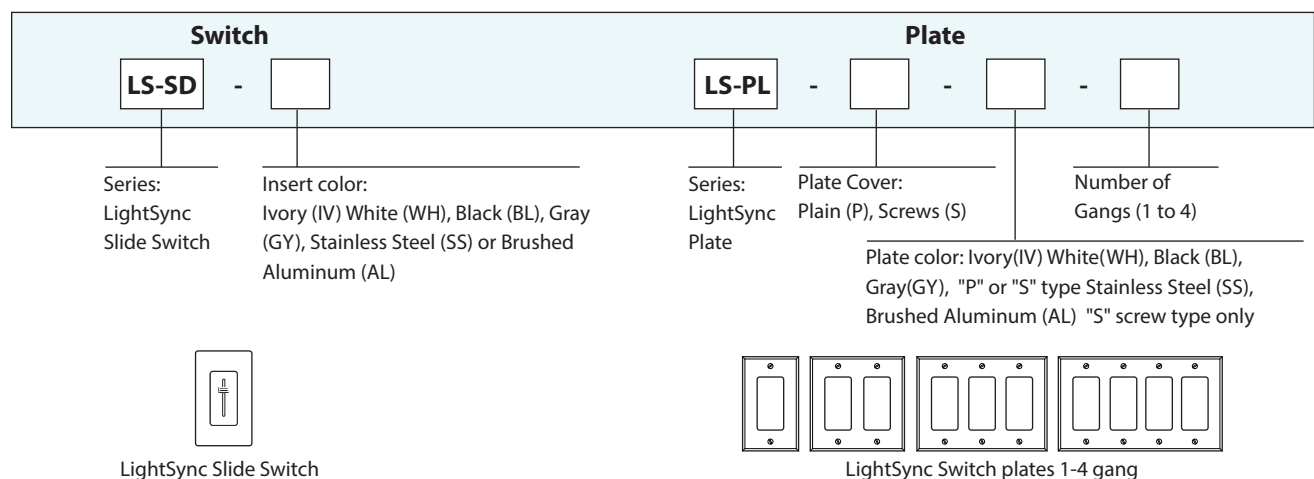
Features

- **Made in the USA**
- **Digital CAT-5 Ready**
- **Data line** slide switch control
- **Controls** 0 to 10V dimmer modules
- **Analog** slide switch control
- **Programmable** to one or more modules
- **8 set-points** for direct relay control
- **Fully adjustable scaling** for level and voltage
- **Faceplates** are available in white, ivory, gray, black, stainless steel and brushed aluminum
- **Mounts** in a standard single gang box
- **Engraving** is available for switch identification
- **Remote mount** anywhere on the LightSync network
- **Self powered** from the network
- **Addressable** rotary switches
- **Decora®** style matching switch plate provided

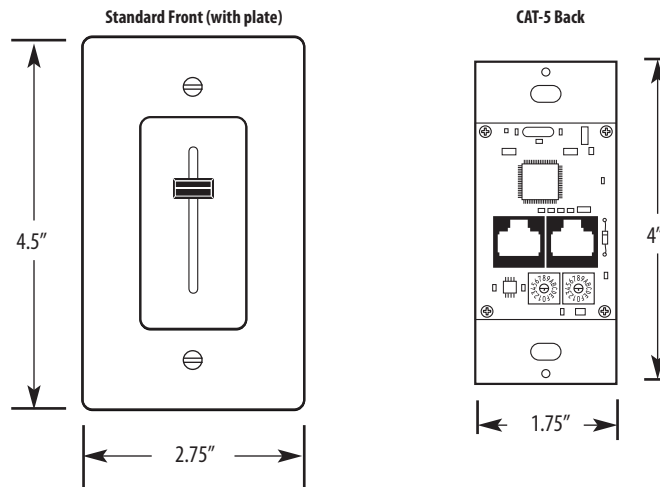
Warranty

Six-year limited warranty

Ordering



Physical



Specifications

Physical:

- Standard single gang mounting
- High quality slide switch
- Digital addressing switches
- RJ45 connectors provided for easy connection
- Standard Screw plate or screwless plate available
- Mounting screws provided
- Laser engraving up to 10 characters
- Available in ivory, white, black, gray, stainless steel and brushed aluminum

Switch Plates:

- Brushed Aluminum (visible screws)
- Stainless Steel (visible screws)
- Painted (visible screws)
- Optional Lexan® Screwless

Electrical:

- Powered from the panel or LightSync network

Operating Environment:

- Location: Interior space
- Operating Temp.: 0° to 50° C
- Humidity: 10% - 90% Non-condensing
- Atmosphere: Non-explosive/corrosive
- Vibration: Stationary

Certifications and Approvals:

- FCC Part 15