

LightSync Digital **Key Switch Station**

Overview

The LightSync Digital Key Switch Station provides an extra level of security and limits access to only those who possess the key. Switch stations have a high quality 5-tumbler key switch and status LED. Key switches may be programmed to control any relay(s), group(s) or preset(s) throughout the network. Key Switches are available in four colors, stainless steel, and brushed aluminum.



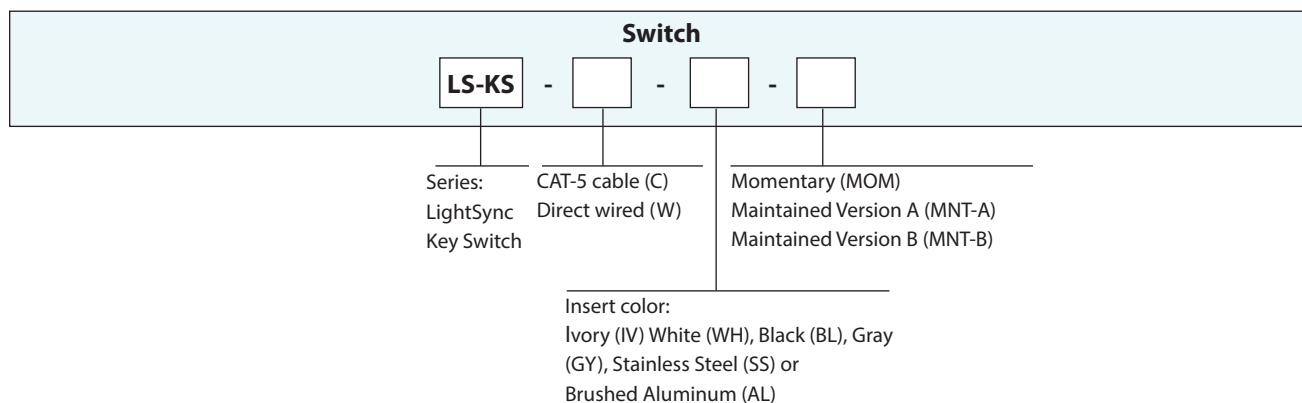
Features

- **Made in the USA**
- **Digital CAT-5 Ready**
- **Data line** key switch station
- **Switches** supplied with momentary or maintained closures
- **Secure** 5-tumbler high quality switches
- **Program** to control to control any relay(s), group(s) or preset(s)
- **Status LEDs** for indicating the true state of a relay, group or preset
- **Key Switch Stations** are available in white, ivory, gray, black, stainless steel and brushed aluminum
- **Mounts** in a standard single gang box
- **Engraving** is available for switch identification
- **Remote mount** anywhere on the LightSync network
- **Self powered** from the network
- **Addressable** rotary switches
- **Decora®** style single gang switch plate available upon request
- **Hardwired** version available

Warranty

Six-year limited warranty

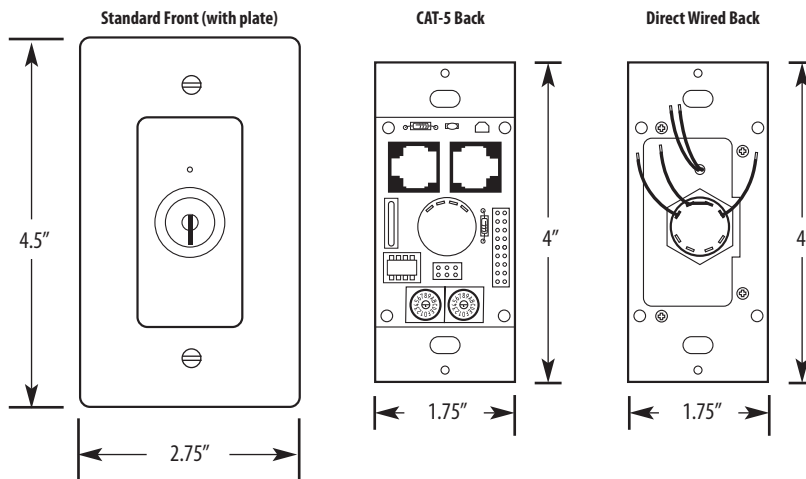
Ordering



LightSync Digital

Key Switch Station

Physical



Specifications

Physical:

- Standard single gang mounting
- Digital addressing switches
- RJ45 connectors provided for easy connection
- Mounting screws provided
- Laser engraving up to 10 characters provided
- Available in ivory, white, black, gray, stainless steel and brushed aluminum

Switches:

- Momentary SPDT
- Maintained SPDT (on-off-on) key removable in "on" position (Version A)
- Maintained SPDT (on-off-on) key removable in "off" position (Version B)

Electrical:

- Powered from the panel or LightSync network

Operating Environment:

- Location: Interior space
- Operating Temp.: 0° to 50° C
- Humidity: 10% - 90% Non-condensing
- Atmosphere: Non-explosive/corrosive
- Vibration: Stationary

Certifications and Approvals:

- FCC Part 15