

LightSync Digital

Key Switch Station

Overview

The LightSync Digital Key Switch Station provides an extra level of security and limits access to only those who possess the key. Switch stations have a high quality 5-tumbler key switch and status LED. Key switches may be programmed to control any relay(s), group(s) or preset(s) throughout the network. Key Switches are available in four colors, and stainless steel.



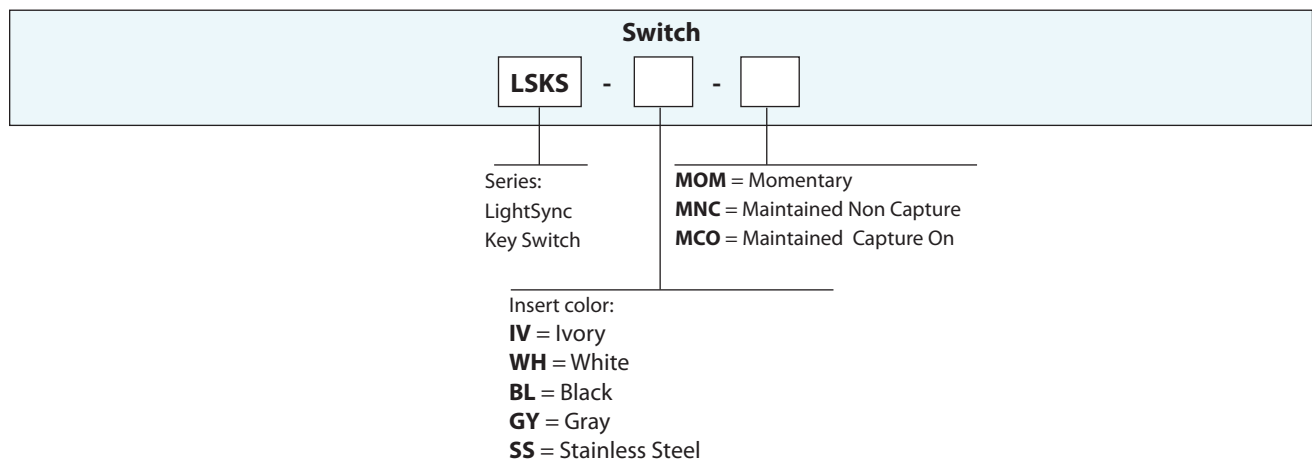
Features

- **Made in the USA**
- **Digital CAT-5 Ready**
- **Data line** key switch station
- **Switches** supplied with momentary or maintained closures
- **Secure** 5-tumbler high quality switches
- **Program** to control any relay(s), group(s) or preset(s)
- **Status LEDs** for indicating the true state of a relay, group or preset
- **Key Switch Stations** are available in white, ivory, gray, black, and stainless steel
- **Mounts** in a standard single gang box
- **Engraving** is available for switch identification
- **Remote mount** anywhere on the LightSync network
- **Self powered** from the network
- **Addressable** rotary switches

Warranty

Five-year limited warranty

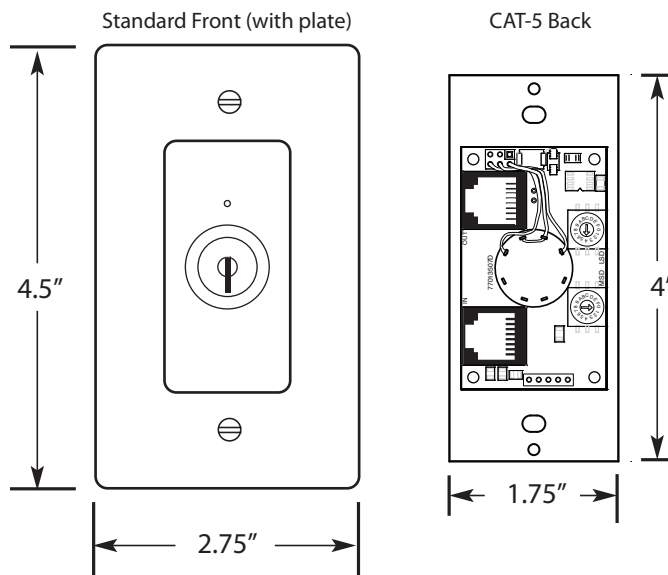
Ordering



LightSync Digital

Key Switch Station

Physical



Specifications

Physical:

- Standard single gang mounting
- Digital addressing switches
- RJ45 connectors provided for easy connection
- Mounting screws provided
- Available in ivory, white, black, gray, and stainless steel

Switches:

- Momentary SPDT
- Maintained SPDT (on-off-on) key removable in "on" position (MNC - Non Capture)
- Maintained SPDT (on-off-on) key removable in "off" position (MCO - Capture On)

Electrical:

- Powered from the panel or LightSync network

Operating Environment:

- Location: Interior space
- Operating Temp.: 0° to 50° C
- Humidity: 10% - 90% Non-condensing
- Atmosphere: Non-explosive/corrosive
- Vibration: Stationary

Certifications and Approvals:

- FCC Part 15