

LightSync Digital **Power Supply Repeater**

Overview

The LightSync Power Supply Repeater extends the data and power on the data line for LightSync devices. It renews data and increases the data line length by 3000 linear feet and also allows data lines “T”s”. Power is added for up to 20 additional LightSync digital devices on the data line and 3000 cumulative feet. The Power Supply Repeater comes in a NEMA 1 enclosure with a multi-tap transformer and a high voltage divider.



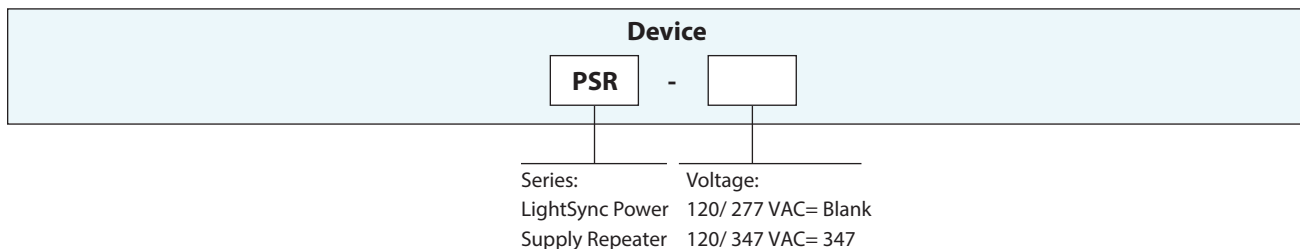
Features

- **Made in the USA**
- **Digital CAT 5** ready
- **Data** is renewed and extended by an additional 3000 feet
- **Nodes** on the data line increase by 31 devices for data
- **Powers** up to 20 LightSync devices 3000 cumulative feet
- **Allows splitting** or “T” connections of data line
- **Enclosure** is NEMA 1 rated with high voltage divider
- **Remote mount** anywhere on the LightSync network
- **Wired** from the factory, ready to install

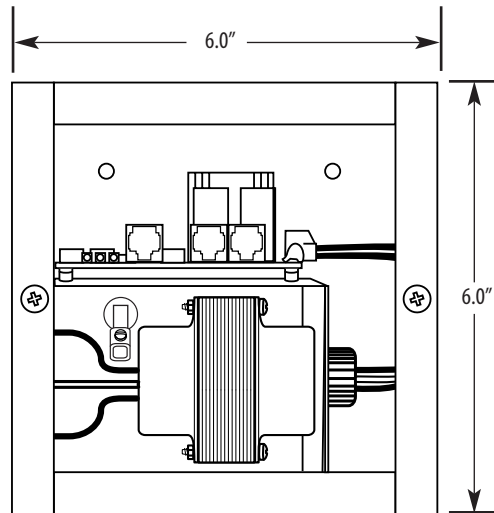
Warranty

Six-year limited warranty

Ordering



Physical



Power Supply Repeater

Specifications

Physical:

- Standard NEMA-1 enclosure
- 6"W x 6"H x 4"D
- Operates in any position
- High voltage barrier division
- Factory wired, ready to install
- RJ45 connectors provided for easy connection
- Feed through for main data line

Electrical:

- 120/277 VAC, optional 120/ 347 VAC

Capacities:

- Powers up to 20 LightSync devices 3000 cumulative feet
- Extends data 3000 linear feet
- Allows "T" connections

Operating Environment:

- Location: Interior space
- Operating Temp.: 0° to 50° C
- Humidity: 10% - 90% Non-condensing
- Atmosphere: Non-explosive/corrosive
- Vibration: Stationary

Certifications and Approvals:

- UL CUL
- FCC Part 15