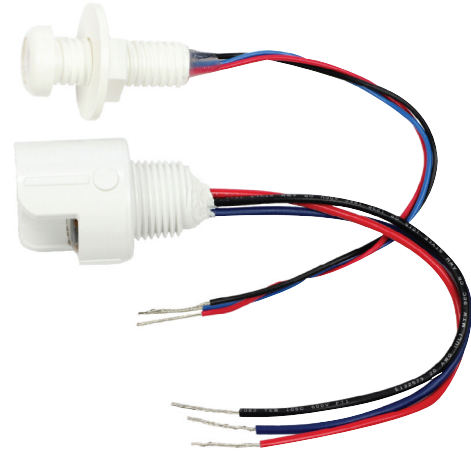


LightSync Digital

Photo Sensor Head

Overview

The LightSync Photo Sensor Head monitors the light levels and transmits the data to the Photo Sensor Controller. The photo sensor head is available in styles designed for indoor or outdoor light monitoring. The indoor photo sensor head is a low profile device that easily mounts directly in a ceiling tile, sheet rock, or a light fixture and is designed for natural daylight indoors. The outdoor head is provided with a watertight housing that mounts directly to an LB fitting or electrical box. It is designed to handle the harsh outdoor conditions, which include rain, snow, and UV rays.



Features

- **Made in the USA**
- **Digital CAT-5 Ready**
- **Light levels** monitored indoors or outdoors to 1800 foot candles
- **Analog** to digital photo sensor heads
- **Photo Sensor heads** prewired and color-coded for easy installation
- **Available** in indoor and outdoor photo sensor head styles
- **Indoor photo sensor** are low profile and mounts in a ceiling tile, sheet rock, or directly in lighting fixture
- **Outdoor photo sensor** mounts with a standard ½" conduit thread

Head types:

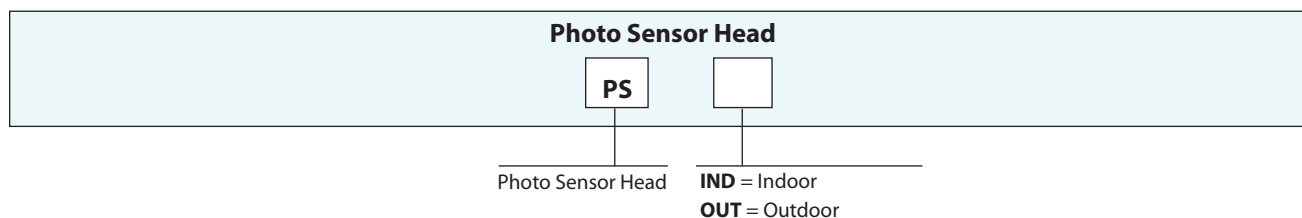
Indoor: Designed to measure light levels straight in and mounts in a ceiling tile, sheet rock, or directly in a lighting fixture.

Outdoor: Weatherproof, UV resistant designed for outdoor locations. Mounts on a standard ½" LB or junction box. It is provided with an integrated hood.

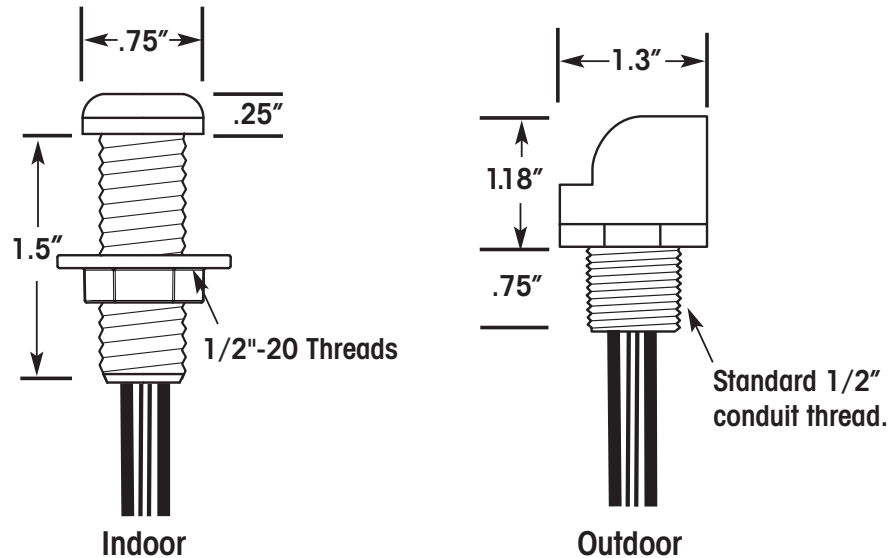
Warranty

Five-year limited warranty

Ordering



Physical



Specifications

Indoor Photo Sensor Head:

- .75" x .25", 1/2"-20 x 1.5" threaded mount
- White PVC material
- 6" wire leads, 22AWG
- UV resistant

Outdoor Photo Sensor Head:

- 1.30" x 1.18, 1/2" conduit thread x .75" mount
- Encased photo sensor head protects sensor from the elements
- White PVC material
- 6" wire leads, 22AWG
- UV resistant

Electrical:

- Powered from the Photo Sensor Controller

Controller Operating Environment:

- Location:
 - Indoor Head: Interior space
 - Outdoor head: Exterior space
- Operating Temp.: -35° to 50° C
- Humidity: 10% to 100% condensing
- Atmosphere: Non-explosive/corrosive
- Vibration: Stationary

Certifications:

- UL CUL