

Overview

The LightSync Photocell Head monitors the light levels and transmits the data to the Photo Sensor Controller. The photocell head is available in styles designed for indoor or outdoor light monitoring. The indoor heads include a standard low profile straight head designed for natural daylight monitoring. Indoor Photocells can be mounted directly in the ceiling tile, sheet rock or lighting fixture. The outdoor head is provided with a watertight housing that mounts directly to an LB fitting or electrical box. It is designed to handle the harsh outdoor conditions, which include rain, snow, and UV rays.



Features

- **Made in the USA**
- **Digital CAT-5 Ready**
- **Light levels** monitored indoors or outdoors to 1800 foot candles
- **Analog** to digital photocell heads
- **Photocell heads** prewired and color-coded for easy installation
- **Available** in indoor and outdoor photocell head styles
- **Indoor photocells** are low profile and mounts in a ceiling tile, sheet rock, or directly in lighting fixture
- **Outdoor photocell** mounts with a standard ½" conduit thread

Head types:

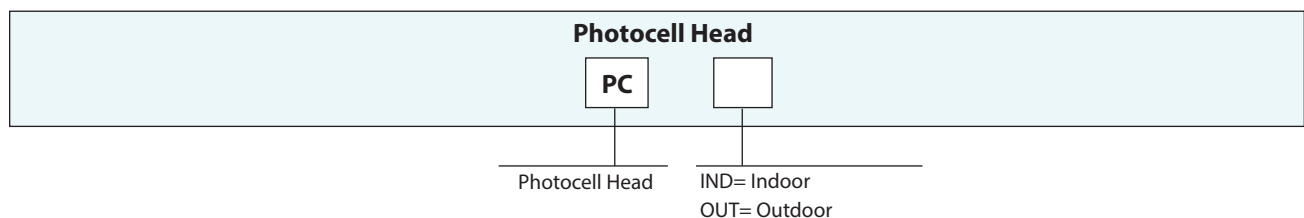
Indoor: Designed to measure light levels straight in and mounts in a ceiling tile, sheet rock, or directly in a lighting fixture.

Outdoor: Weatherproof, UV resistant designed for outdoor locations. Mounts on a standard ½" LB or junction box. It is provided with an integrated hood.

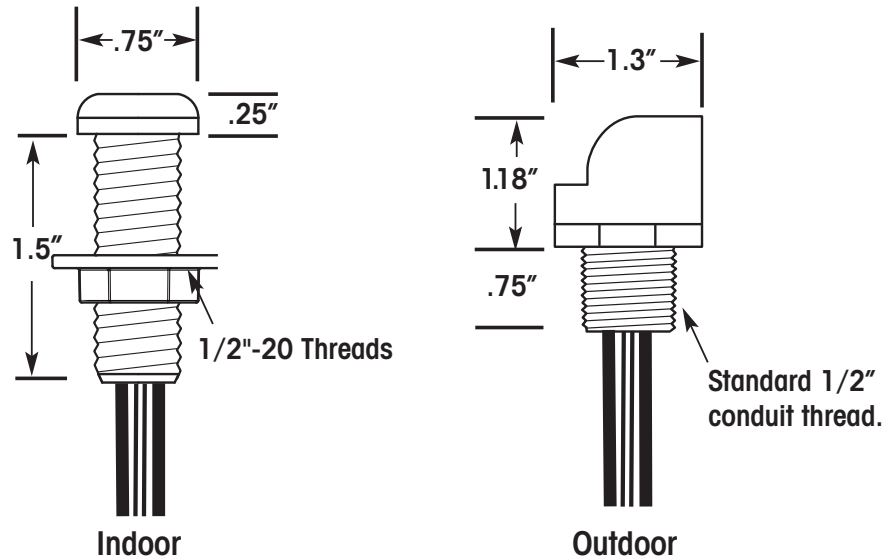
Warranty

Six-year limited warranty

Ordering



Physical



Specifications

Indoor Photocell Head:

- .75" x .25", 1/2"-20 x 1.5" threaded mount
- White PVC material
- 6" wire leads, 22AWG
- UV resistant

Outdoor Photocell Head:

- 1.30" x 1.18, 1/2" conduit thread x .75" mount
- Encased photocell head protects sensor from the elements
- White PVC material
- 6" wire leads, 22AWG
- UV resistant

Electrical:

- Powered from the Photo Sensor Controller

Controller Operating Environment:

- Location:
 - Indoor Head: Interior space
 - Outdoor head: Exterior space
- Operating Temp.: -35° to 50° C
- Humidity: 10% to 100% condensing
- Atmosphere: Non-explosive/corrosive
- Vibration: Stationary

Certifications:

- UL CUL