

## LightSync Digital

## Photocell Sensor RJ45

### Overview

The LightSync Photocell Sensor head is provided with a RJ-45 connection for easy CAT-5 cabling. This photocell sensor monitors the light levels and transmits the digital data to the controller. This easy to install indoor sensor is a low profile device with a press-on retainer that easily mounts directly in a ceiling tile, sheetrock, or other ceiling materials.



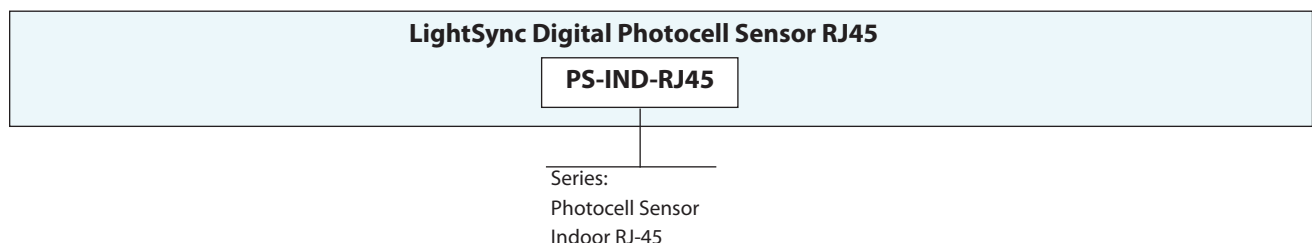
### Features

- **Made in the USA**
- **CAT-5 Cable** connection for easy installation
- **Light levels** range monitored from 0 to 1,800 foot candles
- **Digital** photocell sensor
- **Daylight Harvesting** programmable operation
- **Direct Connect** to LLEVO-INT panel or use the LLRJ-45T terminal adapter to connect to a hardwire photo sensor controller
- **Press-On** retainer clip holds sensor in place, no tools required to tighten
- **Indoor Photocell Sensor** mounts in a ceiling tile, sheetrock, or any material up to 1.5" thick
- **Low profile** design that mounts in standard hole

### Warranty

Five-year limited warranty

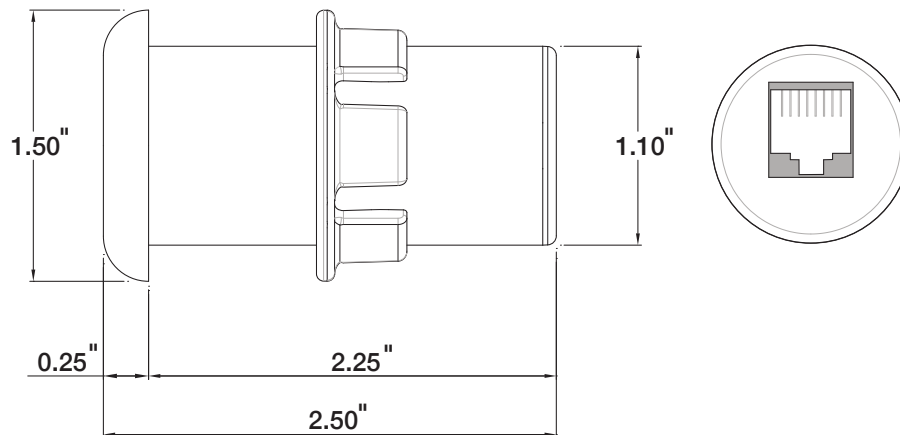
### Ordering



## LightSync Digital

## Photocell Sensor RJ45

## Physical



## Specifications

**Indoor Photocell Sensor Head:**

- 2.50" x 1.50" overall dimension
- Mounts in standard 1.125" (29MM) hole
- Press-on retainer
- White Lexan material
- RJ-45 recessed port
- UV resistant lens

**Electrical:**

- Powered from the panel or photo sensor controller

**Operating Environment:**

- Location: Interior space
- Operating Temperature: -35° to 50° C
- Humidity: 10% - 90% Non-condensing
- Atmosphere: Non-explosive/corrosive
- Vibration: Stationary

**Certifications**

- FCC