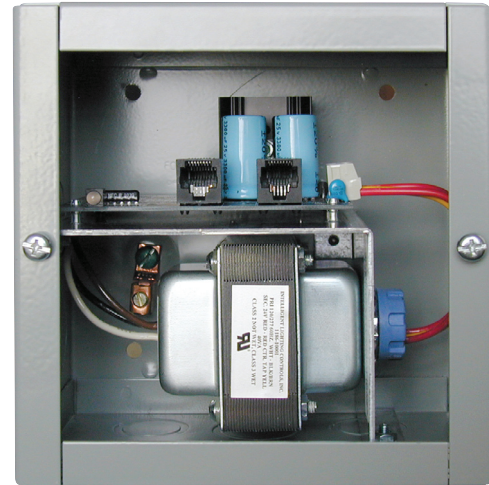


LightSync Digital

Power Supply Repeater

Overview

The LightSync Digital Power Supply Repeater operates on the LightSync data line and is both a power supply and data repeater. Its primary purpose is to repeat data (3000 feet combined end to end per each of 2 ports) and provide a bridge to another data line run. This device has one incoming and two outgoing RJ45 ports, enabling the data line to be split into two different directions. The PSR will also power up to 20 LightSync devices for an additional 3000 cumulative feet.



Features

- Made in the USA
- Digital CAT 5 ready

General Information

- UL Listed
- Mounted in standard NEMA enclosure
- Operates in any position

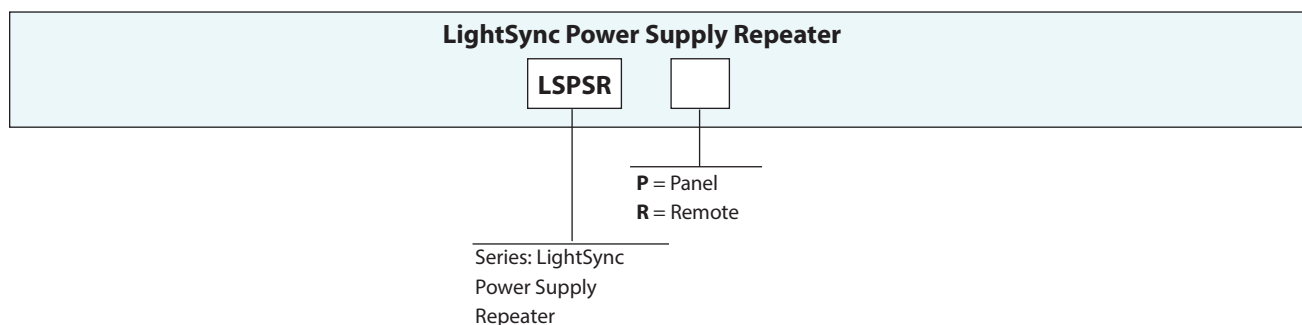
Characteristics

- Adds power for up to 20 additional LightSync control devices to LightSync network run an additional 3000 cumulative feet
- CAT-5 connectivity
- Extend network data length by 3000 feet combined output (2) end to end
- Allows "T" splitting of CAT-5 cable path
- No Programming Required

Warranty

One year limited warranty

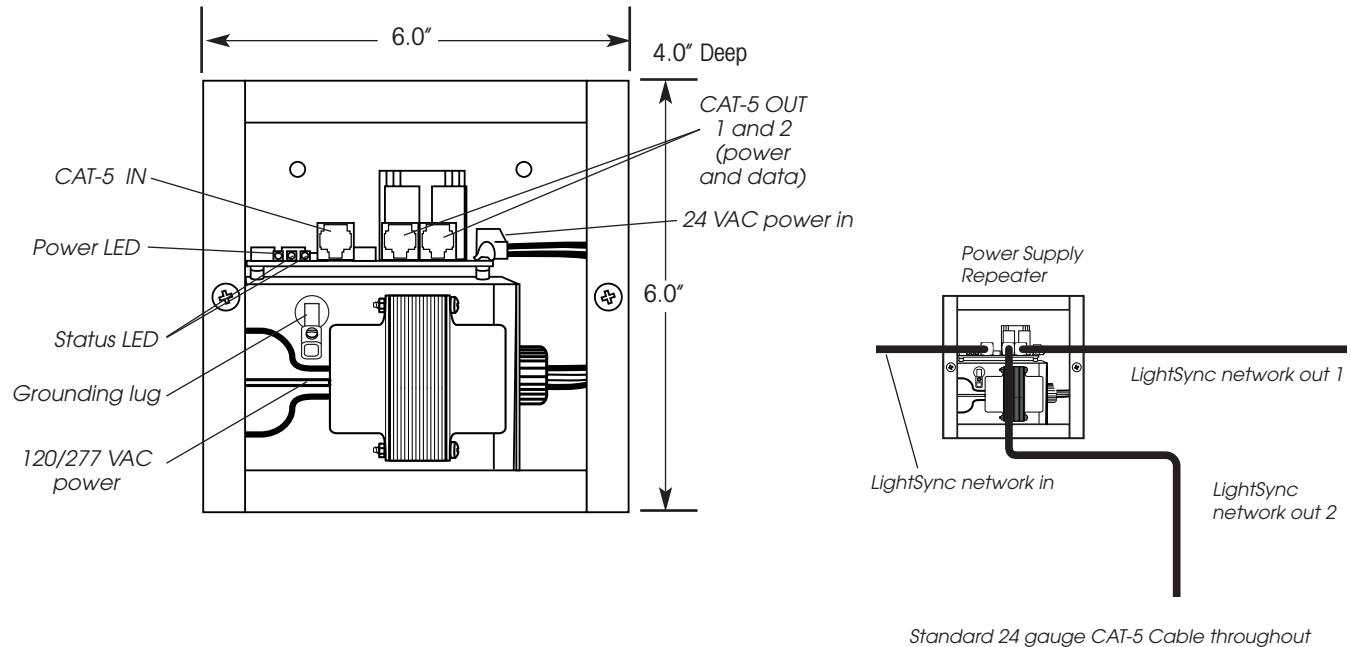
Ordering



LightSync Digital

Power Supply Repeater

Physical



Specifications

Physical:

- Mounted in 6" x 6" x 4" standard NEMA-1 enclosure
- Operates in any position

Electrical:

- 120/277 VAC transformer
- Optional 120/347 VAC

Capacities:

- Powers up to 20 additional LightSync devices and additional 3000 cumulative feet
- Refer to ILC Technical Bulletin #TB 1408 for LightSync cable run distance details

Operating Environment:

- Location: Interior space
- Operating Temp.: 0° to 50° C
- Humidity: 10% - 90% Non-condensing
- Atmosphere: Non-explosive/corrosive
- Vibration: Stationary

Certifications:

- UL CUL