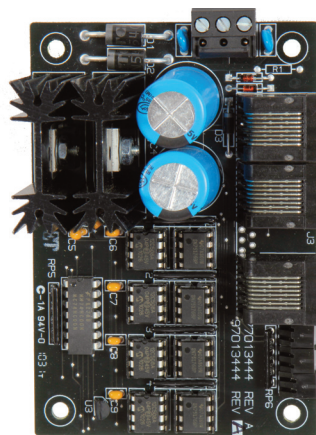


LightSync Digital

Power Supply Repeater

Overview

The LightSync Digital Power Supply Repeater operates on the LightSync data line and is a power supply and data repeater. Its primary purpose is to repeat data and provide a bridge to another data line run. This device has one incoming and two outgoing RJ45 ports, enabling the data line to be split into two different directions. The PSR will also power up to 20 LightSync devices for an additional 3000 cumulative feet.



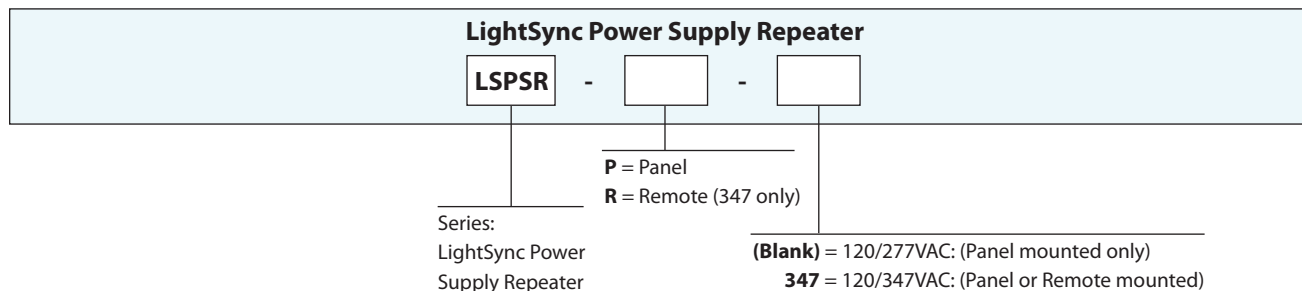
Features

- Made in the USA
- Digital CAT 5 ready
- Adds power for up to 20 additional LightSync control devices to LightSync network run an additional 3000 cumulative feet
- Extend network data length by 3000 feet over the combined two outputs end to end
- Allows “T” splitting of CAT-5 cable path
- No Programming Required

Warranty

Five-year limited warranty

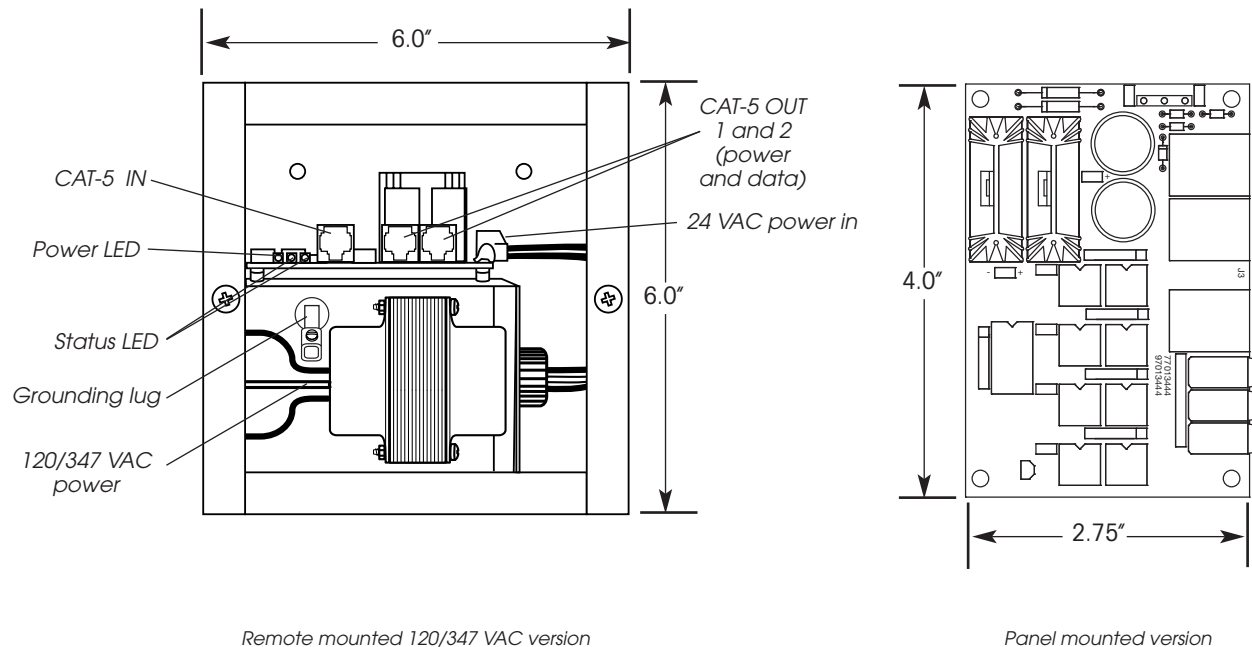
Ordering



LightSync Digital

Power Supply Repeater

Physical



Specifications

Physical:

- Panel Mounted with 120/277 or 120/347 VAC transformer
- 120/347 VAC available in remote mounted 6" x 6" x 4" NEMA-1 enclosure
- Operates in any position

Electrical:

- 120/277 VAC transformer
- Optional 120/347 VAC

Capacities:

- Powers up to 20 additional LightSync devices and additional 3000 cumulative feet
- Refer to ILC Technical Bulletin #TB 1408 for LightSync cable run distance details

Operating Environment:

- Location: Interior space
- Operating Temp.: 0° to 50° C
- Humidity: 10% - 90% Non-condensing
- Atmosphere: Non-explosive/corrosive
- Vibration: Stationary

Certifications and Approvals:

- UL CUL