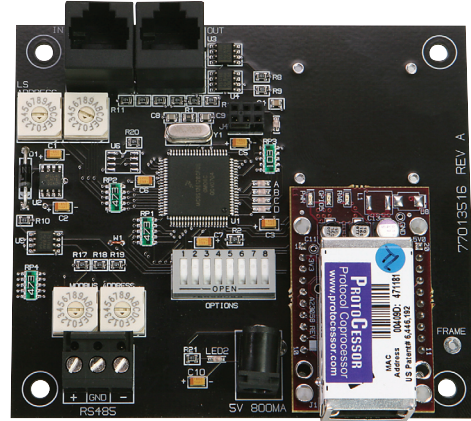


Overview

The LightSync Serial Interface Input Control Module can be added to any LightLEEDer panel to provide LightSync device emulation from any building automation system using BACnet IP, BACnet MSTP, Modbus RTU, Modbus ASCII and Modbus TCP. With the panel module, commands can be sent to the panel to trigger inputs ON and OFF, force photocell levels to drive dimming outputs, and read status of pilots and photocell levels. Inputs are mapped through the panels keypad or with LightLEEDer Pro software.



Features

- **Made in the USA**
- **Digital CAT 5** ready
- **Direct communications** for BAS or AV system control of LightSync input points
- **Emulates** LightSync inputs and analog photocells
- **Status** (pilots) of relays, groups, presets, and photocell levels
- **Installs directly** into LightSync network using LightSync device addresses
- **Extractable files** from BACnet
- **Control** 1-64 LightSync devices
- **Adjustable** Modbus baud rate

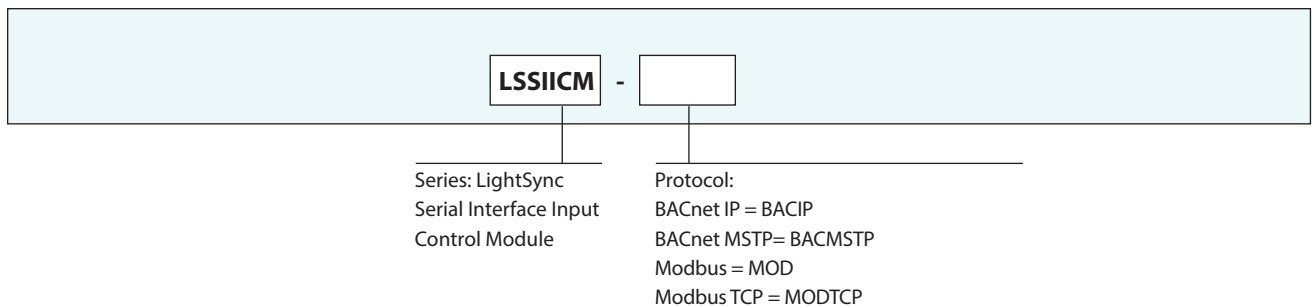
Protocols

- **BACnet IP**– an ASHRAE protocol communicating on a TCP/IP network
- **BACnet MSTP**– an ASHRAE protocol communicating on a RS485 network
- **Modbus RTU**– a Modicon protocol communicating on RS485 in a binary coded format
- **Modbus ASCII**– a Modicon protocol communicating on RS485 or RS232 in an ASCII coded format
- **Modbus TCP**– a Modicon protocol communicating on a TCP/IP network

Warranty

Six-year limited warranty

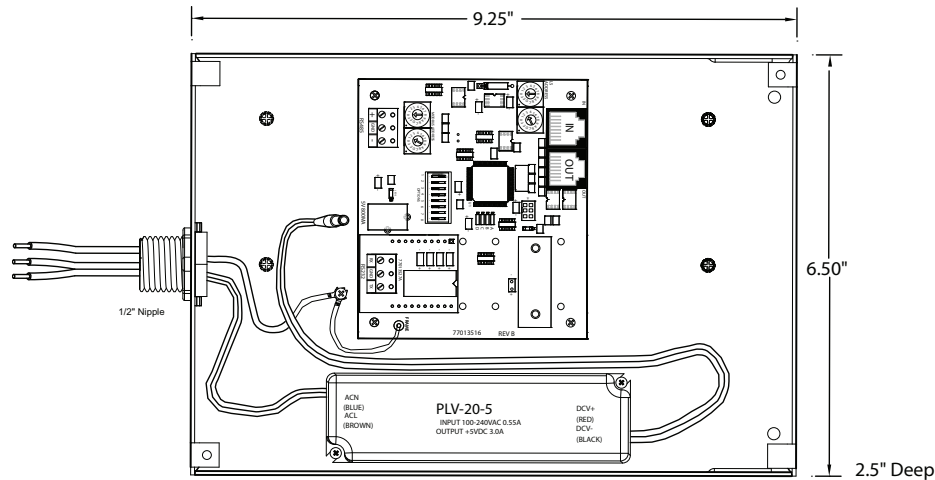
Ordering



LightSync Digital

Serial Interface Input Control Module

Physical



NOTE: Physical appearance may vary between protocols.

Specifications

Physical:

- NEMA1 enclosure 6.5" W x 9.25" L x 2.5"D
- 6" Power leads 120V
- 1/2" Conduit nipple for connection to junction box
- RJ45 connectors for interfacing to LightSync network
- Ethernet terminal with RJ45 for IP interface
- Removable screw down connectors for RS485 or RS232 data communication
- Rotary and dip switches for addressing and configuring
- Mounting holes provided
- Plenum rated enclosure

Electrical:

- Powered from the panel
- 5 VDC power supply provided

Operating Environment:

- Location: Interior space
- Operating Temp.: 0° to 50° C
- Humidity: 10% - 90% Non-condensing
- Atmosphere: Non-explosive/corrosive
- Vibration: Stationary

Certifications and Approvals:

- FCC Part 15
- UL, CUL