

LightSync Digital

Touch Button Switch

### Overview

The LightSync Digital Touch Switch Station offers a durable switch that is resistant to impact and vandalism. Switch stations are available with 1 to 3 highly durable push button switches and have a status LED associated with each button. Each button may be programmed to control any relay(s), group(s) or preset(s) throughout the network. Switch Stations are available in four colors, stainless steel, or brushed aluminum.



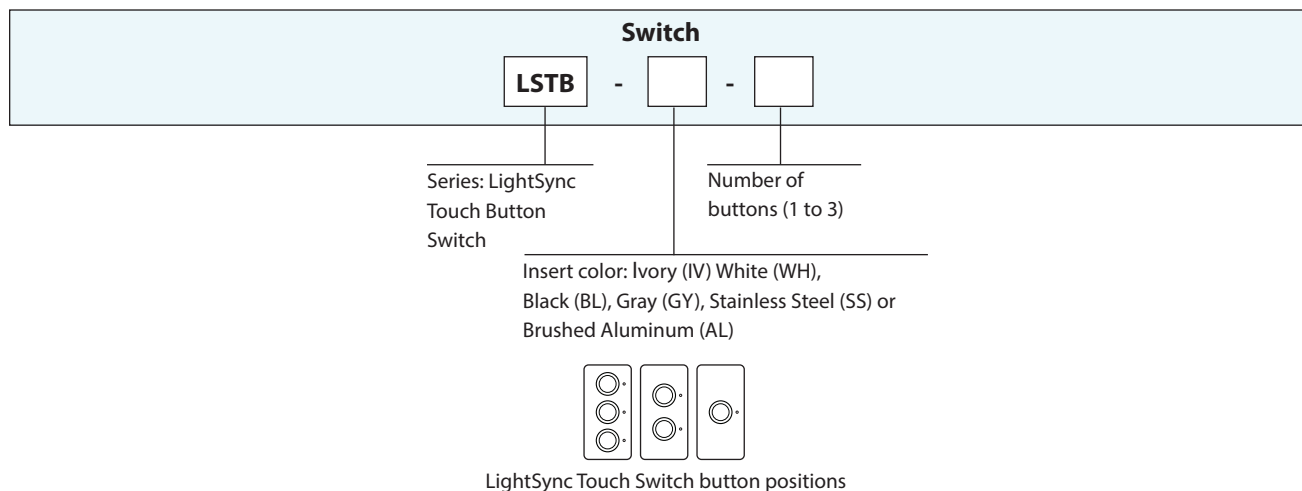
### Features

- **Made in the USA**
- **Digital CAT-5 Ready**
- **Durable** vandal resistant data line switch station
- **Buttons** range from 1 to 3 per station
- **Audible** switch beeps upon activation
- **Programmable buttons** control any relay(s), group(s) or preset(s)
- **Status LEDs** for indicating the true state of a relay, group or preset
- **Switch Stations** are available in white, ivory, gray, black, stainless steel and brushed aluminum
- **Mounts** in a standard single gang box
- **Engraving** is available for switch identification
- **Remote mount** anywhere on the LightSync network
- **Self powered** from the network
- **Addressable** rotary switches
- **Decora®** style single gang switch plate available upon request
- **Hardwired** version available

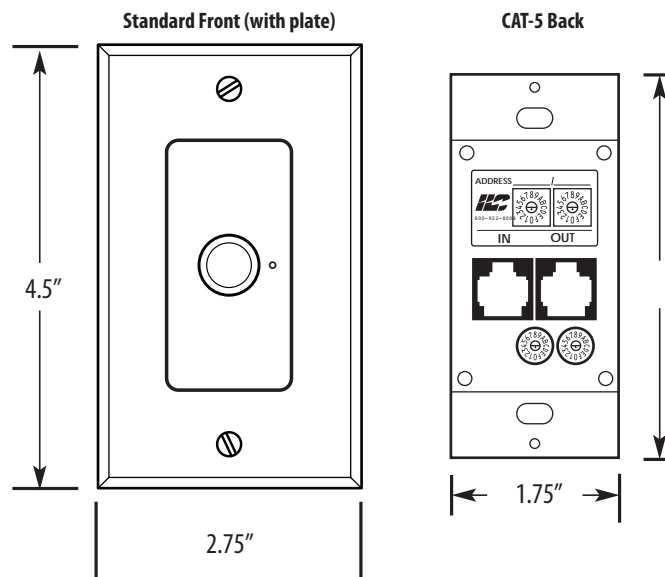
### Warranty

Six-year limited warranty

### Ordering



## Physical



## Specifications

### Physical:

- Standard single gang mounting
- Digital addressing switches
- RJ45 connectors provided for easy connection
- Mounting screws provided
- Engraving up to 10 characters
- Stainless Steel Switch

### Electrical:

- Powered from the panel or LightSync network
- 200,000 electrical life cycles

### Operating Environment:

- Location: Interior space
- Operating Temp.: 0° to 50° C
- Humidity: 10% - 90% Non-condensing
- Atmosphere: Non-explosive/corrosive
- Vibration: Stationary
- Switch Ingress Protection: IP68

### Certifications and Approvals:

- FCC Part 15