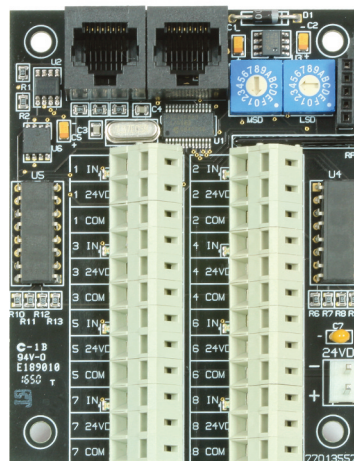


**LightSync Digital**      **Conditional Occupancy Sensor 8 Input Module**

### Overview

The LightSync Digital Conditional Occupancy Sensor 8 Input module allows conditional configurations for each of the 8 inputs, and is designed to power and receive signals from multiple occupancy sensors. Each LightSync input allows for conditional statements related to the occupancy sensor inputs and pilots in the module. "AND" / "OR" logic schemes can be configured for each input, allowing users to create overlapping conditionals for multiple occupancy sensor zones within the COS81 module. Each input conditional statement consists of NO/NC closures and LS device pilot status in a 16x16 matrix. The LS device inputs are programmed in the LL panel to control any relay(s), group(s) or preset(s).



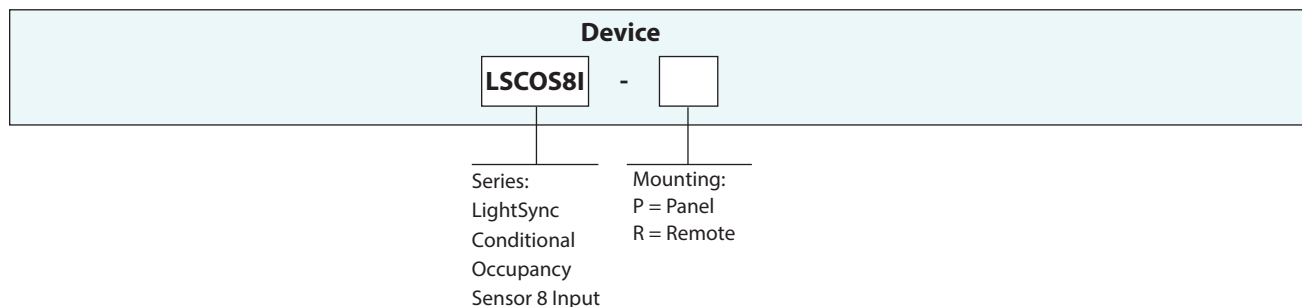
### Features

- **Made in the USA**
- **Digital CAT-5 Ready**
- **8 Conditional** occupancy sensor inputs per module
- **Provides Power** and inputs for occupancy sensors
- **Programmable** conditional logic
- **Accepts 2 wire** maintained or momentary closures
- **Connectors** are non-screw push-to-connect type
- **Switch closure LED** status for each input
- **Optically isolated** inputs to protect electronics
- **Installs** directly onto output board
- **Remote** mounting option for LightSync network
- **Power** from 120/277VAC power supply
- **Software** logic programming provided

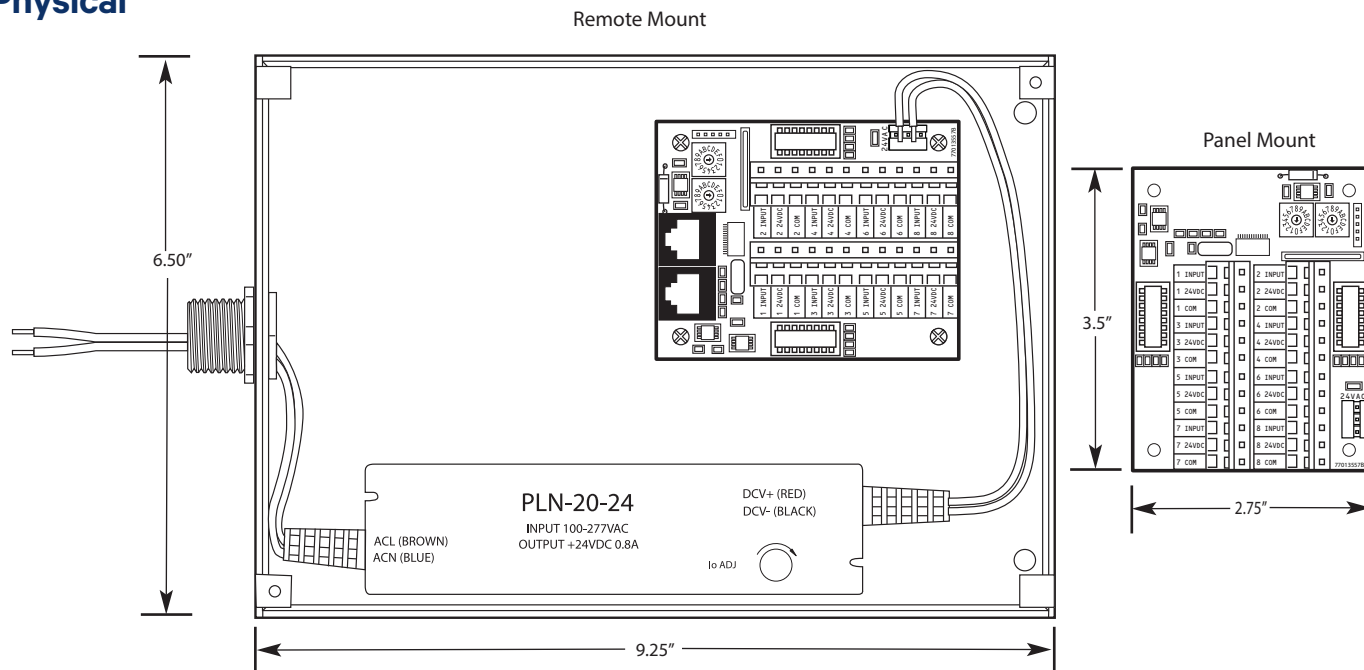
### Warranty

Six-year limited warranty

### Ordering



**Physical**



**Specifications**

**Safeguards:**

- Optically isolated inputs protect electronics

**Physical:**

- 2.75" W x 3.5" H
- Easy non-screw push-to-connect connectors
- Digital addressing switches
- RJ45 connectors for remote mounting option

**Remote Mount Physical:**

- Enclosure: 6.50" x 9.25" x 2.50" with screw cover
- 1/2" nipple for mounting to an electrical box
- 6" wire leads provided for high voltage connection
- Push-to-connect low voltage connections
- Provided with pre-drilled mounting holes

**Electrical:**

- Electronics powered from LightSync data line
- Sensors powered from 120/277VAC power supply
- Current: 800mA
- Voltage: 24VDC
- Current limited circuit

**Operating Environment:**

- Location: Interior space
- Operating Temp.: 0° to 50° C
- Humidity: 10% - 90% Non-condensing
- Atmosphere: Non-explosive/corrosive
- Vibration: Stationary

**Certifications and Approvals:**

- FCC Part 15
- UL