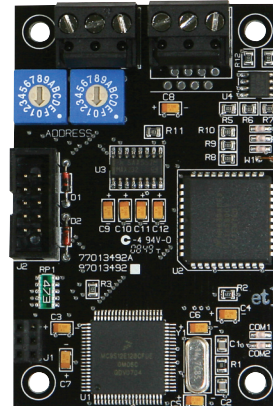


LightSync Digital **Serial Interface Control Modules**

Overview

The LightSync Serial Interface Module can be added to any panel to provide control from any building automation system using BACnet IP, BACnet MSTP, Modbus RTU, Modbus ASCII, Modbus TCP, Metasys N2, or ILC serial protocol. With the panel module, commands can be sent to the panel to force relays ON and OFF, force relays On and OFF with a timer option (blink, double blink, HID delay, Alarm ON, Alarm OFF, Pulse ON, and Pulse OFF), monitor relay status, monitor input status, and enable/disable inputs. A single point gateway is available for control and status of relays, groups, and presets on the network.



Features

- **Made in the USA**
- **Direct communications** for BAS control of lighting panel
- **Direct control** of any relay output giving complete control
- **True status** of relays in the lighting panel
- **Timer option** commands available for blink alerts and alarms
- **Allows enable/disable** commands for switch inputs
- **Installs directly** into any panel
- **Extractable files** from BACnet and LonWorks modules

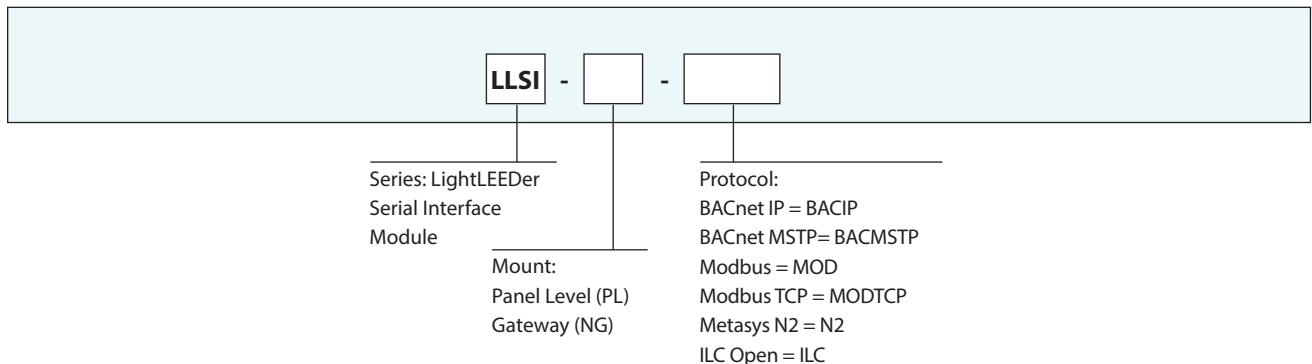
Protocols

- **BACnet IP**– an ASHRAE protocol communicating on a TCP/IP network
- **BACnet MSTP**– an ASHRAE protocol communicating on a RS485 network
- **Modbus RTU**– a Modicon protocol communicating on RS485/RS232 in a binary coded format
- **Modbus ASCII**– a Modicon protocol communicating on RS485/RS232 in an ASCII coded format
- **Modbus TCP**– a Modicon protocol communicating on a TCP/IP network
- **Metasys N2**– a Johnson Controls protocol communicating on RS485
- **ILC Open Protocol**– an ILC protocol communicating on RS485/RS232 in an ASCII coded format

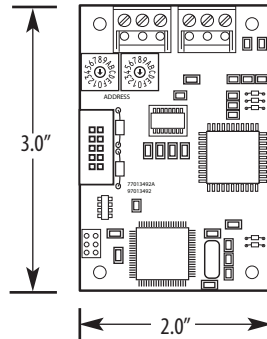
Warranty

Six-year limited warranty

Ordering



Physical



NOTE: Physical appearance may vary between protocols.

Specifications

Physical:

- Dimensions: 2" Wide X 3" High
- RJ45 connectors for Ethernet based communications
- Removable screw connectors for data line communications

Electrical:

- Powered from the panel

Operating Environment:

- Location: Interior space
- Operating Temp.: 0° to 50° C
- Humidity: 10% - 90% Non-condensing
- Atmosphere: Non-explosive/corrosive
- Vibration: Stationary

Certifications and Approvals:

- FCC Part 15