

| | | | | | |
|-------------|--|-----------|--|------|--|
| Project | | Catalog # | | Type | |
| Prepared by | | Notes | | Date | |



Greengate

OSW/VSW-P 0-10V Dimmer Sensor

0-10V dimming with PIR based occupancy sensing

Typical Applications

Private Offices • Restrooms • Closets • Copy Rooms • Small enclosed spaces

Interactive Menu

- Order Information [page 2](#)
- Additional Resources [page 3](#)
- Wiring Diagrams [page 3](#)
- Product Warranty

Product Certification



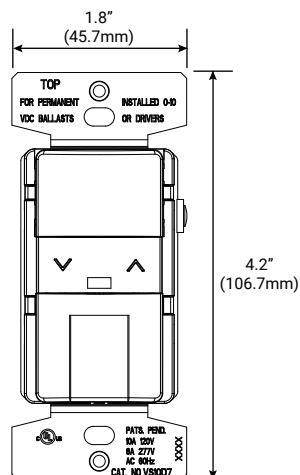
Product Features



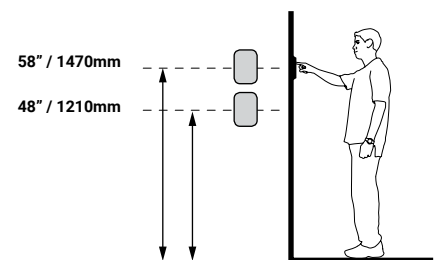
Top Product Features

- Compatible with dimmable 0-10V LED and FLR ballasts
- Neutral wire required for installation
- Adjustable low-level and high-level trim settings
- LED indicator to provide motion and configuration feedback
- Build-in surge protection for longer life
- Push button and rotary dials for easy configuration settings

Dimensional and Mounting Details



Scale or Mounting Height



[additional product diagrams](#)

Order Information

SAMPLE ORDER NUMBER: **OSW-P-010-W**

One single gang wallplate included

Catalog Number

| Catalog Number | Description | Compatible Lamp Types | Ratings Watt | Ratings V/AC | Color |
|---|---|-----------------------|--------------|--------------|--|
| OSW-P-010-* (*-W, V, LA, G, B) | Occupancy sensor and dimmer with LED Single pole/3-Way preset | 0-10VDC LED/FLR | 1200 2200 | 120 277 | W=White, V=Ivory, LV=Light Almond, G=Gray, B=Black |
| VSW-P-010-* (*-W, V, LA, G,) | Vacancy sensor and dimmer with LED Single pole/3-Way preset | 0-10VDC LED/FLR | 1200 2200 | 120 277 | W=White, V=Ivory, LV=Light Almond, G=Gray, B=Black |
| Note Not all colors are available in stock and some color options may have extended lead times. | | | | | |

Product Specifications

Key Features

- Provides 180 degree field of view and 1000 sq. ft. of major motion coverage
- Selectable time delay of 15 seconds (Test mode, changes to
- 2 minutes after 2 minutes of powering up), 5 minutes (factory default), 15 minutes and 20 minutes
- Full-range preset dimming control provided with horizontal dim/bright bar
- Single green LED indicates motion
- Push pad design provides minimal travel and crisp actuation
- Uniform color matches PIR lens to device housing
- Digital circuitry provides aesthetically pleasing soft ON/fade OFF
- Occupancy Sensor version allows to toggle between Auto ON/
- Auto OFF or Manual ON/Auto OFF mode
- Occupancy Sensor version provides a selectable ambient light override preventing lights from switching ON when there is acceptable natural light
- No leakage to load in OFF mode
- Easily configurable to suit specific applications

Technology

- 0-10V Sensor Dimmer
- Single pole and 3-Way

Mechanical

Mounting Plate/Strap Dimensions: 4.2" H x 1.8" W (106.7mm x 45.7mm)

Environment:

- **Operating temperature:** 32°F to 104°F (0°C to 40°C)
- **Relative humidity operating:** 20% to 90% non-condensing
- For indoor use only

Housing: Durable, polycarbonate decorator housing with gloss finish

Mounting: Fits in a standard 3.5" deep back box

Electrical

- Neutral is required for installation of device

Wiring type:

- Single pole and 3-way
- 6" pre-stripped wire leads,
- #16 AWG

Electrical ratings: 8A 120/277VAC @ 60Hz (LED)

Light Intensity Control: Full-range, continuously variable dimming

Surge Protection: Meets ANSI/IEEE Std. C62.41, tested to withstand voltage surges up to 6000V and current surges of up to 3000A

Radio Frequency Interference: Designed to reduce interference with radio, audio and video equipment

Power-failure Memory: Light returns to ON at 50% or lower

Voltage Ratings: Permanently marked on device

Flammability: Meets UL 94 requirements; V2 rated

Hardware Specifications

Status Indicators: LED Indicators to indicate motion

Standards/Ratings

- cULus Listed to UL244A & UL1472, file no. E325082
- NOM certified
- Meets ASHRAE Standard 90.1 requirements
- California Title 20 Compliant

Warranty

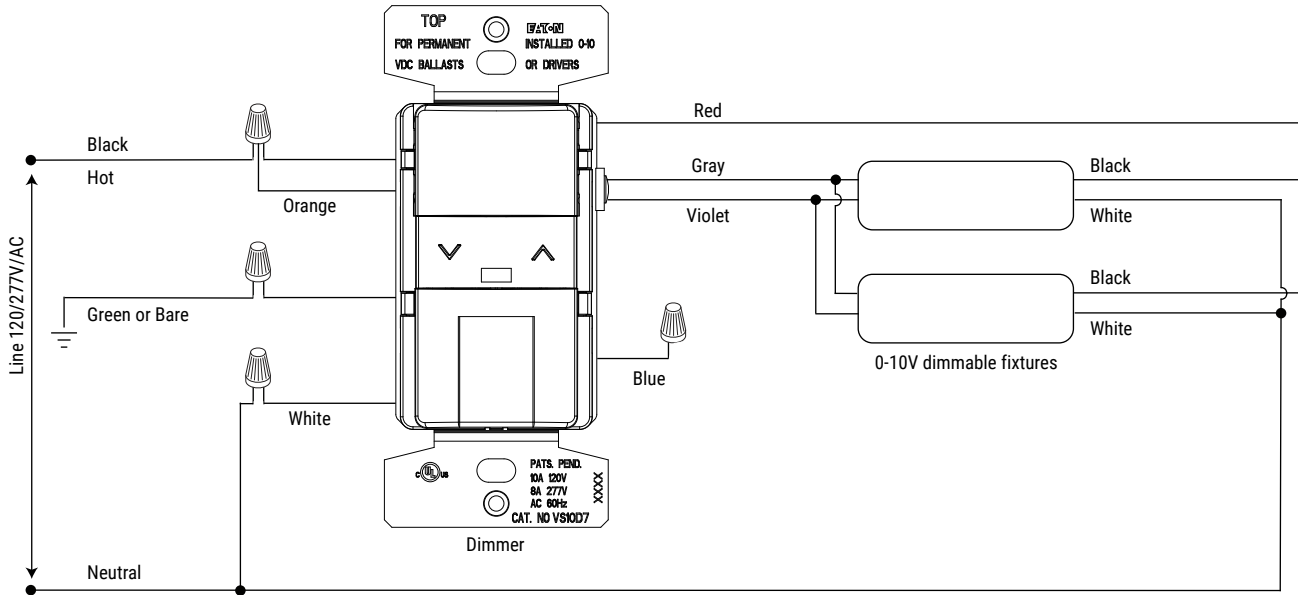
Five year warranty standard

Overview

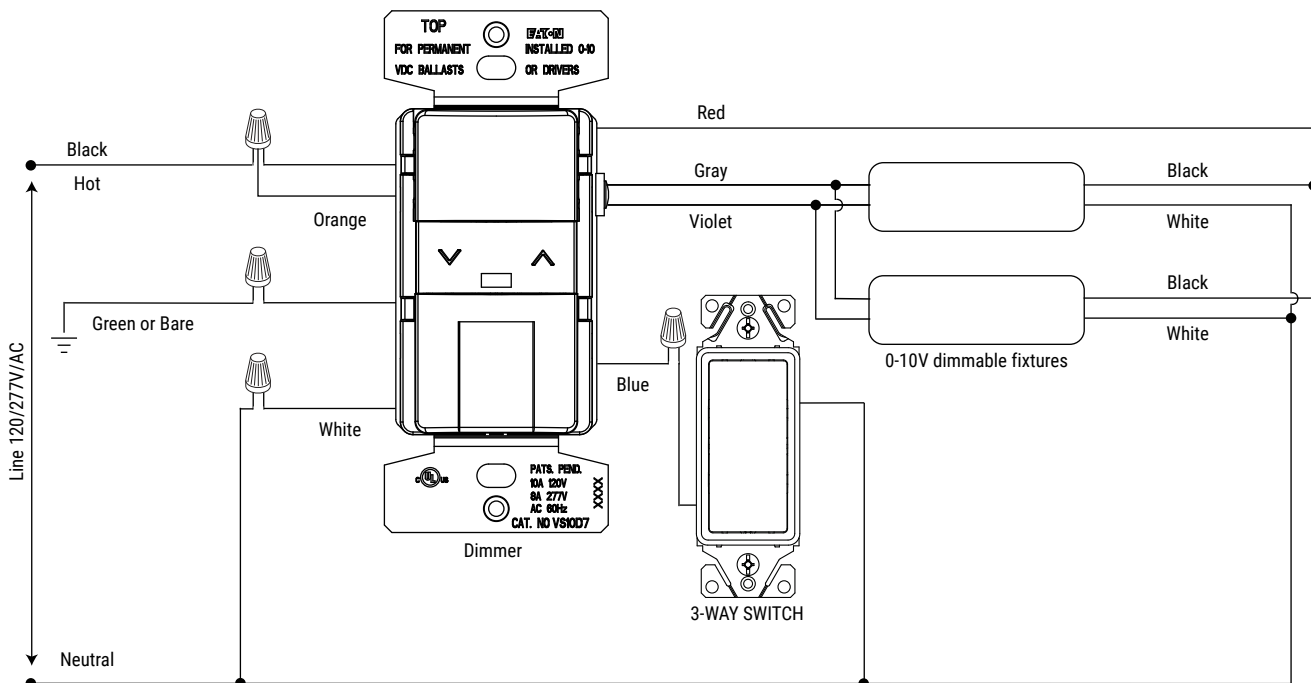
Cooper Lighting Solutions' 0-10V dimmer sensor is a 3 in 1 solution that combines functionality of a switchpack, a sensor and a 0-10V dimmer into one wallbox device, to help customers save labor costs as well as meet the latest energy codes and standards. Cooper Lighting Solutions' 0-10V dimmer sensor solution offers a convenient and cost effective way for users to satisfy commercial energy codes like ASHRAE 90.1 and California Title 20 that require designs that enable energy savings for Commercial facilities. Some of the requirements that can be met by a solution incorporating this device include Area Control, Automatic Lighting Shutoff, Manual ON or Partial ON (ASHRAE 90.1 only), Multi-level Lighting Control and Occupancy Sensor Control. This product can be used in Single-pole (one location) as well as 3-Way (multi-location) applications and is compatible with Cooper Lighting Solutions' decorator style devices and wallplates. This device also allows isolation of its relay for occupancy based control of external power packs.

Wiring Diagrams

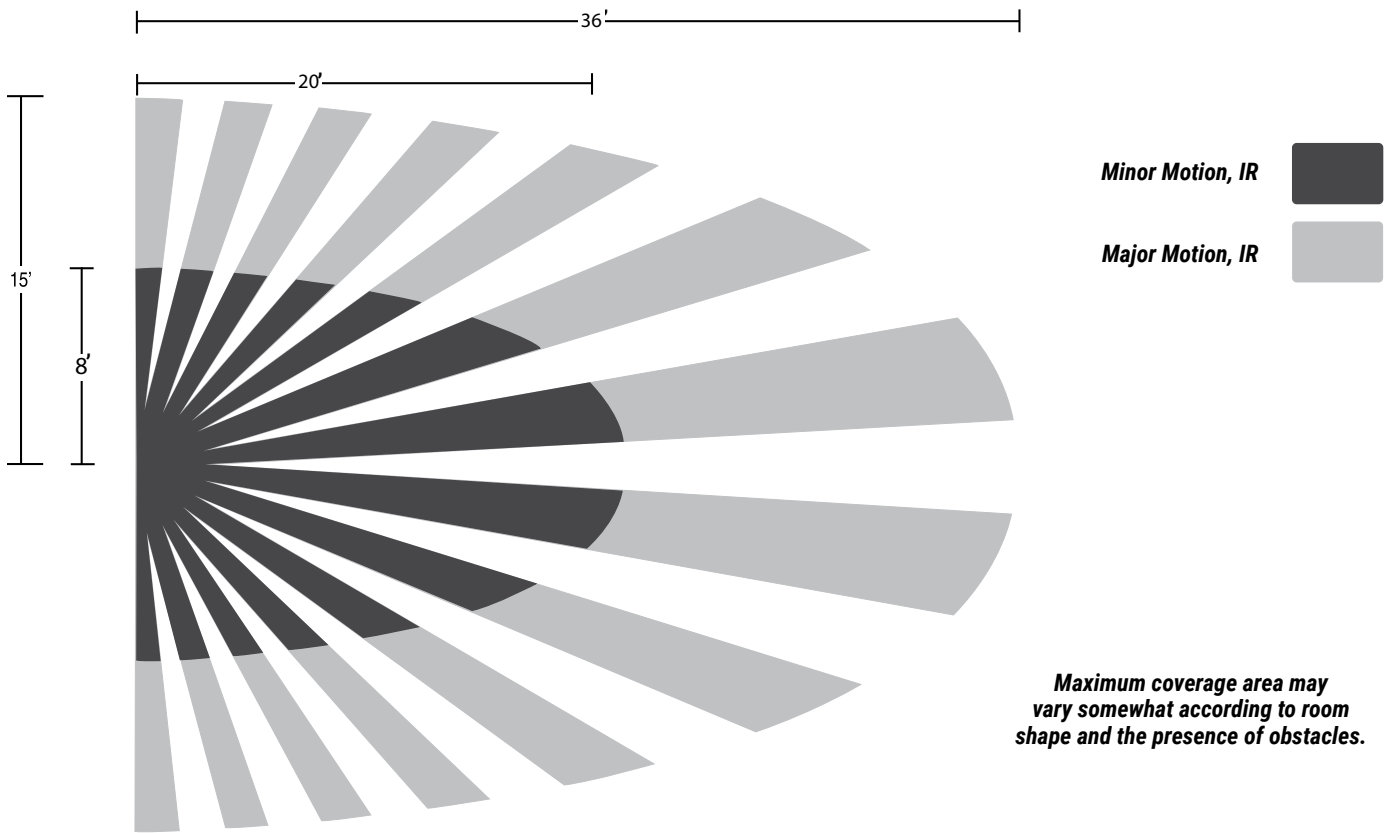
Single-Pole Wiring Diagram FLR, LED



3-Way Wiring Diagram FLR, LED



Field of View



 **Control Systems**
• Greengate