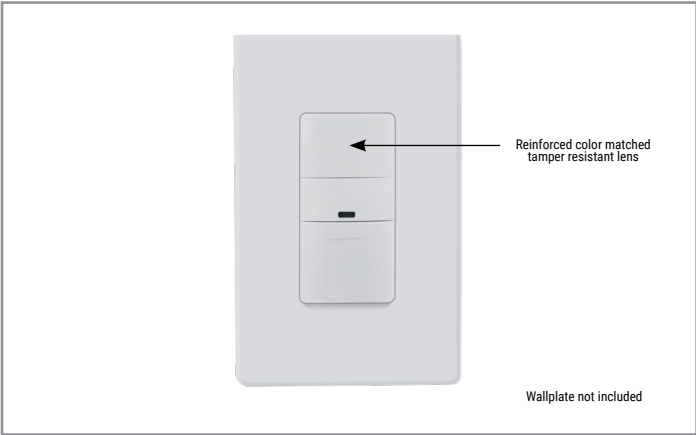


Project		Catalog #		Type	
Prepared by		Notes		Date	



Greengate

OSW-P 0-10V PIR / Single Level 120V Wall Switch Sensor (Ground Required)

Passive Infrared Single or 3-way Occupancy Sensing Wall Switch is a motion sensing lighting control and conventional wall switch all-in-one that is used to for energy savings and convenience.

Typical Applications
 Small Office • Residential office, restrooms, rooms & hallways • Vending rooms

- ### Interactive Menu
- Order Information page 2
 - Additional Resources page 3
 - Wiring Diagrams page 3
 - Product Warranty

Product Certification



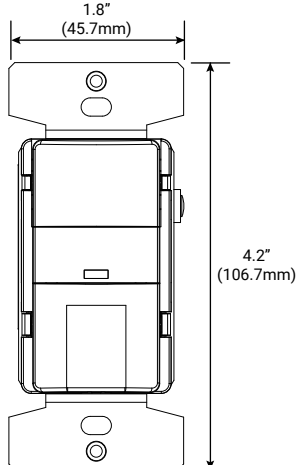
Product Features



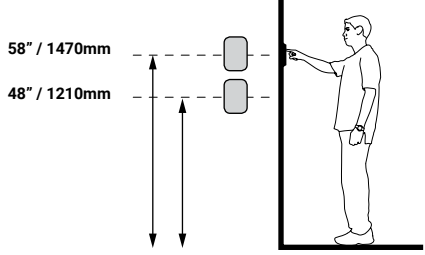
Top Product Features

- Replaces single or 3-way switches
- No neutral wire
- Adjustable time delay
- Integral daylight sensor
- Choice of Manual On or Auto On
- Works with incandescent, LED, fluorescent, CFL, MLV, ELV or 1/2 hp motor load

Dimensional Details



Mounting Height



[additional product diagrams](#)

Order Information

Wallplate not included

Catalog Number

Catalog Number	Ratings	Coverage	Voltage	Color
OSW-P-0801-120- * (*-W, V, LA, G, B)	0-600W incandescent, CFL, MLV, ELV lighting load or 1/6 HP motor load	180°; 450 sq. ft.	120 VAC 60 Hz	W=White, V=Ivory, LV=Light Almond, G=Gray, B=Black
				Notes Not all colors are available in stock and some color options may have extended lead times.

Product Specifications

Key Features

- Replaces single or 3-way switches
- No neutral wire
- Adjustable time delay
- Integral Daylight Sensor
- Choice of Manual On or Auto On
- Works with incandescent, LED, fluorescent, CFL, MLV, ELV or 1/2 hp motor load

Technology

- Passive Infrared (PIR)

Mechanical

Mounting Plate Dimensions: 4.2"H x 1.8"W (106.5 mm x 46 mm)

Product Housing Dimensions: 2.87"H x 1.6"W x 1.42"D
(72.8mm x 40.7mm x 36mm)

Environment:

- **Operating temperature:** 32°F to 104°F (0°C to 40°C)
- **Relative humidity operating:** 20% to 90% non-condensing
- For indoor use only

Housing: Durable, injection molded housing. Resin complies with UL 94V-0

Mounting: Fits in a standard 3.5" deep back box

Electrical

Electrical ratings:

- 120 VAC:
 - Incandescent/Tungsten – Max. load: 5A, 600W, 60 Hz
 - LED/Compact Fluorescent/Electronic Low Voltage/Electronic Ballast
Max. load: 5A, 600W, 60 Hz

Motor Load:

- 1/6 HP @ 125 VAC

Ballast Compatibility:

- Compatible with magnetic and electronic ballasts

Hardware Specifications

Status Indicators: Red LED for Ultrasonic detection

Controls and Performance

Time delays:

- 15 seconds to 30 minutes

Coverage:

- Major motion - 450 sq. ft.
- Minor motion - 200 sq. ft.

Light sensing level:

- 0 to 200 foot candles

Standards/Ratings

- cULus Listed
- FCC Compliant
- RoHS Compliant

Warranty

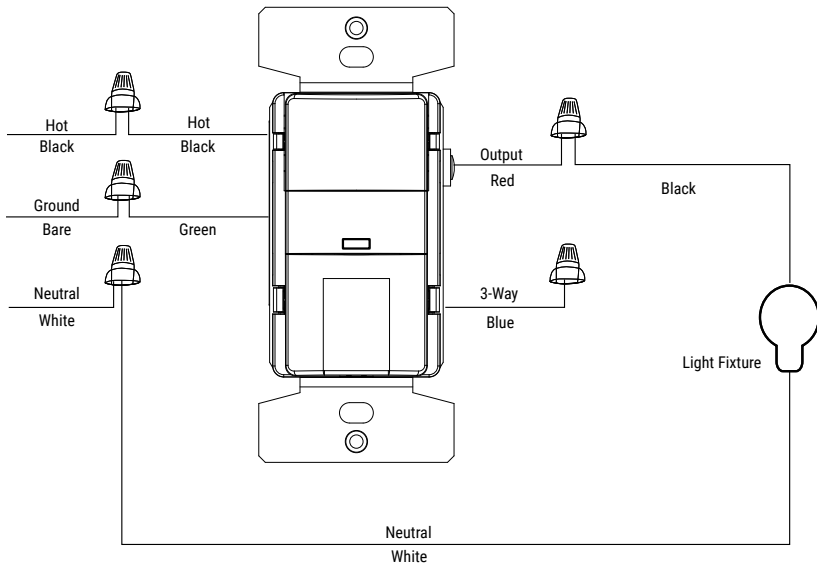
Five year warranty standard

Overview

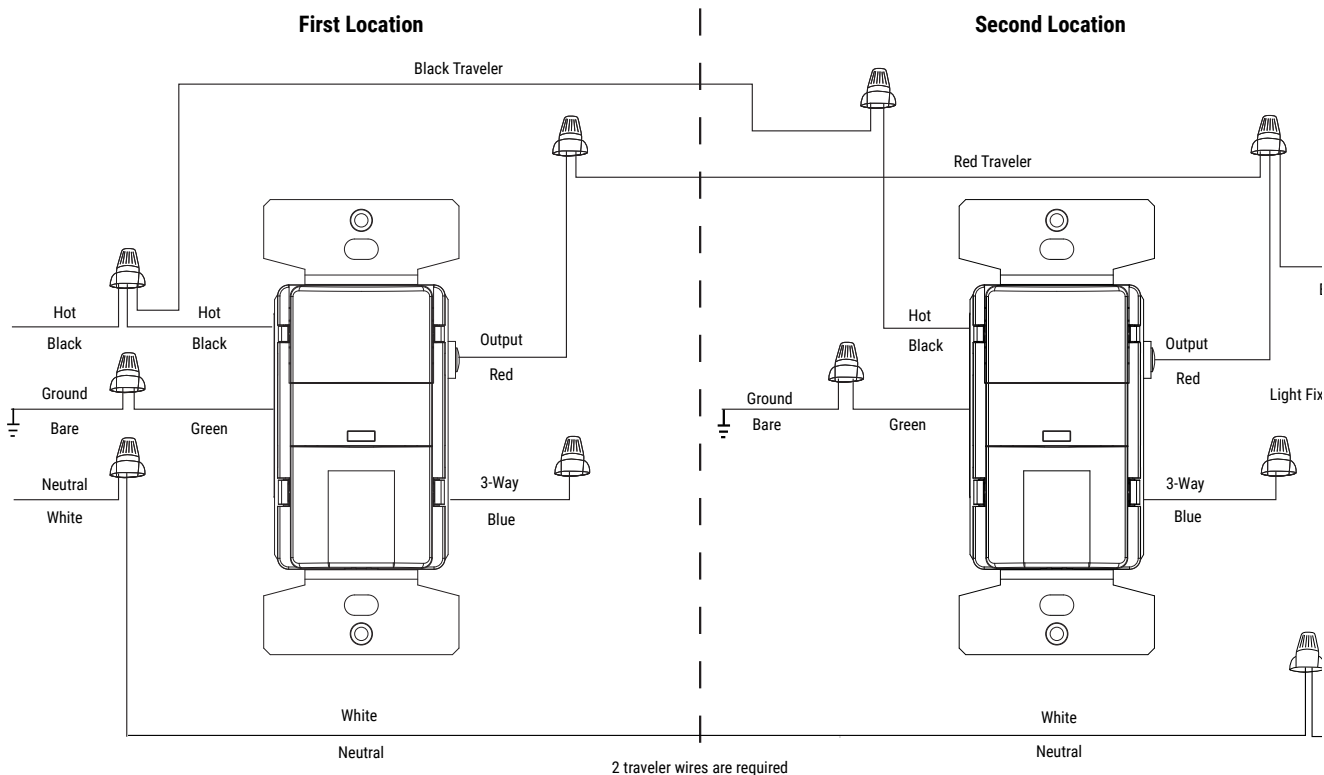
The OSW-P-0801-120 is designed to detect motion from a heat-emitting source (such as a person entering a room) within its field-of-view and automatically switch lights ON. These sensors have multi-segmented lenses. For units to sense motion, the person must cross between two segments. The distance between segments increases the farther you are from the sensor, so motion has to be larger the farther you are from the unit. PIR sensors are considered line-of-sight sensors, meaning that the sensor must be able to have a direct line-of-sight to the person making the motion. In Automatic On Mode, the lights turn ON when a person enters the room. In Manual On Mode, the lights are turned ON by pressing the pushbutton. The sensor provides true multi-way ON/OFF control. When lights have been activated, the lights will remain ON as long as on the sensor(s) continue to detect motion. The occupant may manually turn OFF the lighting by pressing the ON/OFF button on any of the connected devices. If the room becomes vacant and the lights are ON, the lights will turn OFF when the unit that detected motion last times-out.

Wiring Diagrams

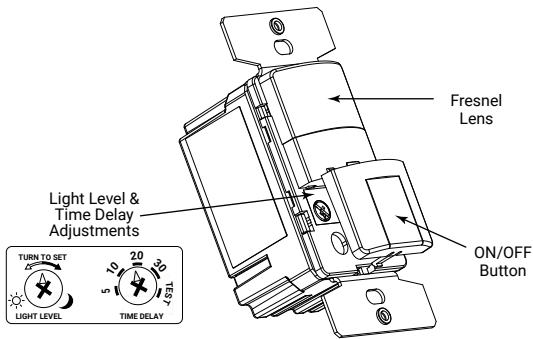
Single-Pole Wiring Diagram FLR, LED



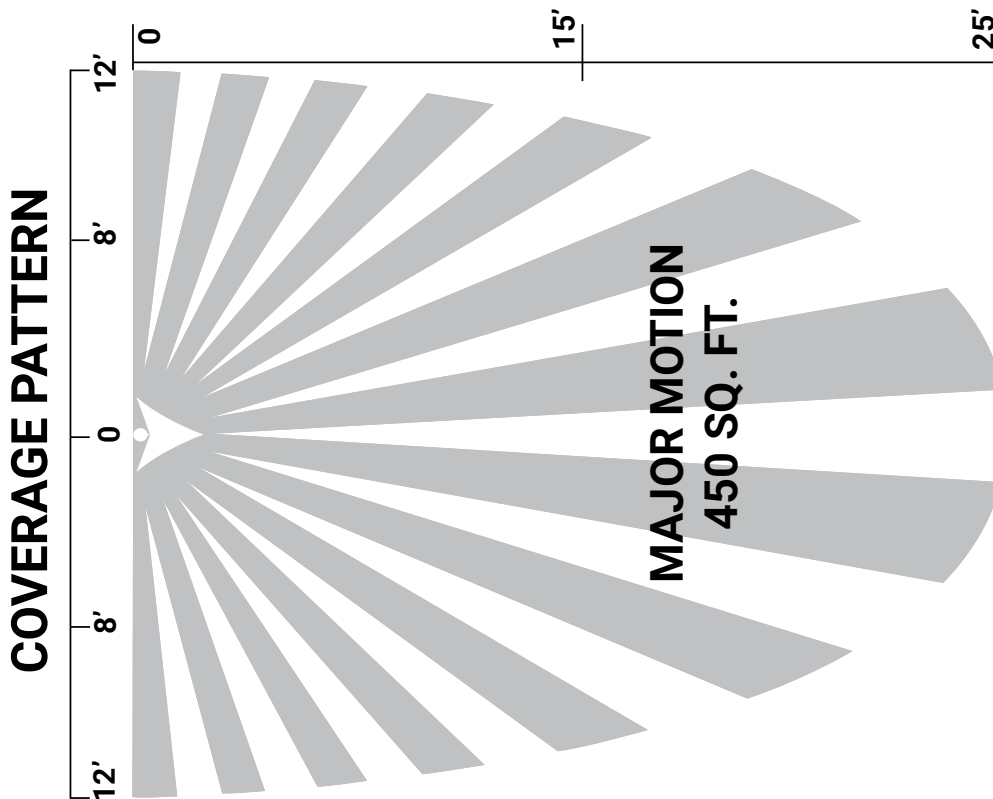
3-Way Wiring Diagram FLR, LED



Controls



Field of View



Maximum coverage area may vary somewhat according to room shape and the presence of obstacles.

 **Control Systems**
• Greengate