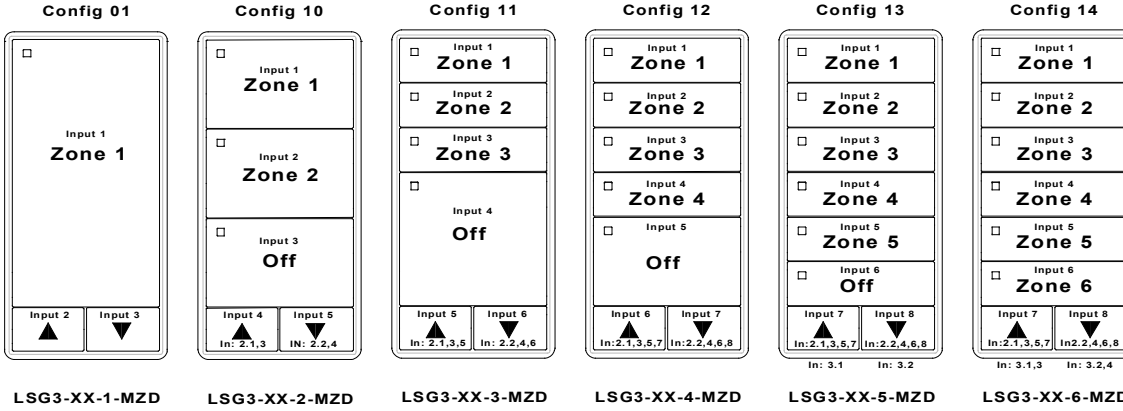


# LightSync G3 Switch Station Configurations Details

## G3 MZD Switch



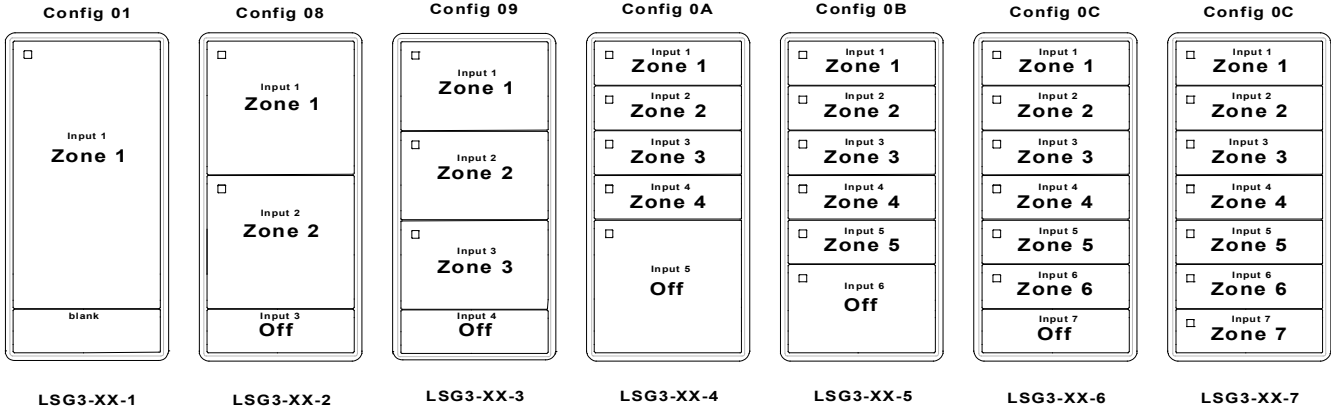
**Multi-Zone Dimmer**  
MZD Stations with 2,3,& 4 Zones occupy 2 LightSync device addresses

MZD Stations with 5 and 6 Zones occupy 3 LightSync device addresses

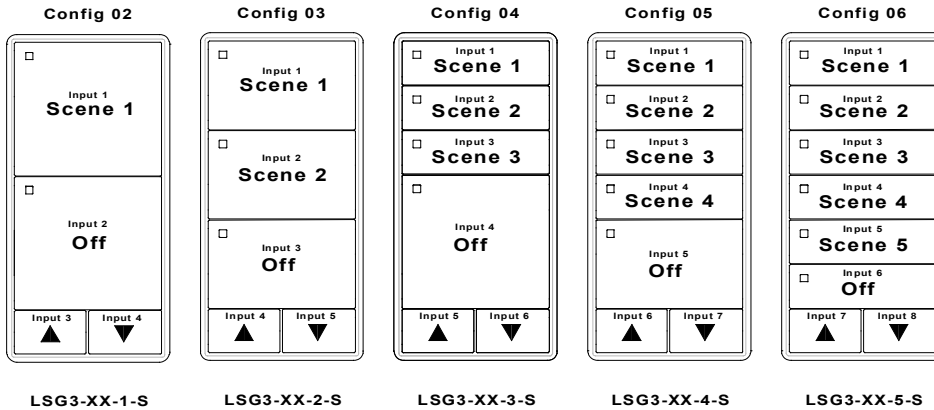
Dimmer operation is programmed from the 2nd or 3rd LS Address  
Pressing the Raise or lower buttons will automatically pass the operation to the 2nd or 3rd device inputs for dimming control

Press and hold the Zones button until flashing to select individual zones for dimming control, the zone button status will flash signifying the selected zones for dimming.

## G3 Non-Dim Stations



## G3 Scene Switch



G3 Scene switches are programmed for Dimmer "GoTo" levels for each dimmer zone controlled to create the dimmer scene required.  
Raise and Lower button are mapped to all scene zones together.

LED Status is set for "Always Off"

The "Off" button is programmed for a "GoTo" level of 0% and Dim-to-Off actions is used.

LightSync G3 Type  
Color Number of buttons Number of buttons

G3 switches are available in 3 switch types:  
Multi-Zone Dimmer "MZD"  
Non-Dim (no designator)  
and Scene switch "S"