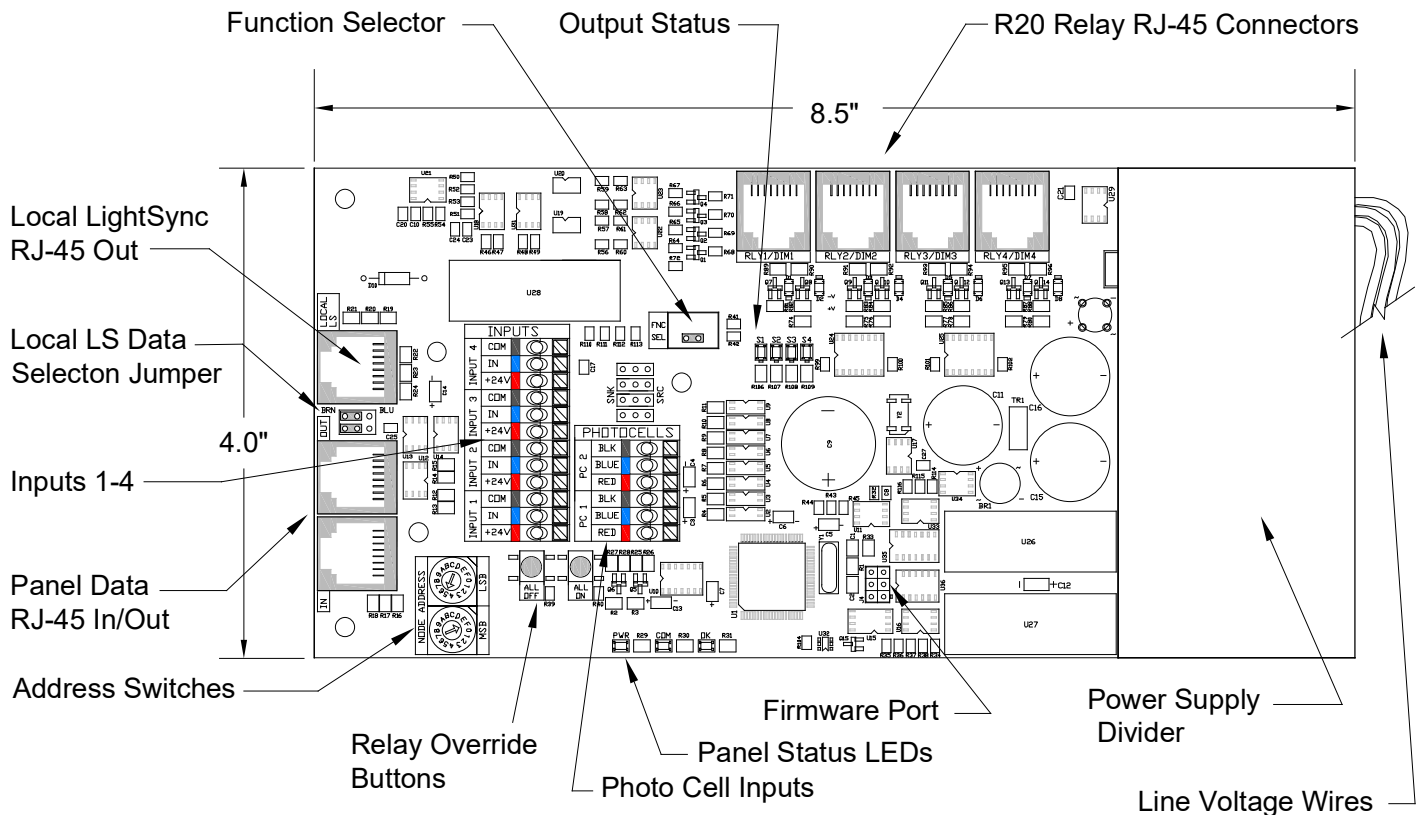


# LightLEEDer EVO Distributed Lighting Controller Details



**Local LightSync:** Provides data and power connection for CAT-5 data line cable to LightSync switches and devices.

**Local LS Data Jumper:** For switching data priority from default - (Brown pair) for EVO panel operation to the optional: (Blue pair) for firmware configured as a Room Controller.

**Inputs 1-4:** Provides connections and power for 3-wire motion sensors or hardwire switches.

**Panel Data:** Provides panel communication to and from other LightLEEDer panels including EVO panels for networking.

**Address switches:** Used to set a unique node address for the EVO panel when networked. Also used to set the EVO panel for one of the 16 lighting application modes. When function selector is set to "On" you can select the pre-programmed code for F0 to FF (see EVO Lighting Application sheets).

**Relay Override Buttons:** For controlling all 4 relays On or Off.

**Photo Cell Inputs:** For 3-wire connection to ILC digital light sensors.

**Firmware Port:** Used by technician to change firmware.

**Panel Status LEDs:** For Power (PWR), Communication (COM) and Operation (OK).

**Power Supply Divider:** Separates the transformer section from the Class 2 low voltage section.

**Line Voltage Wires:** For connecting to the 120/277VAC or optional 120/347VAC power input.

**Function Selector:** For changing the EVO mode from Lighting Application selection (ON) and for EVO panel networking when in the (OPEN) state.

**Output Status:** LED indicators for relays 1-4.

**R20 Relay RJ-45 Connectors:** provides CAT-5 cable ports for connection to remote relays.