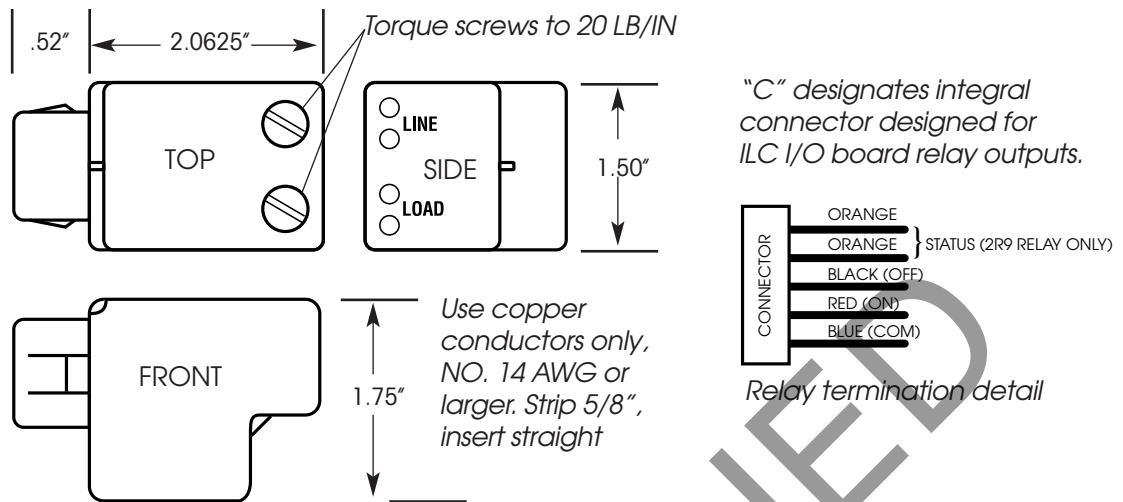


2R7C SPST 20 AMP 120/277/347 VAC Relay



General Information

- UL Listed
- Mounts in standard 1/2" K.O. .825" - .875" diameter, 14 or 16 gauge material
- Operates in any position

Line Voltage Characteristics

- Contacts: SPST Maintained (permanent magnet latching)
- Terminals: 2 terminals, 2 back wiring holes per terminal feedthrough wiring
- Screw-actuated clamps for use with #14-10AWG solid or stranded copper wire only

Low Voltage Characteristics

- Split coil: 1/2 for "ON", 1/2 for "OFF"
- Compatible with standard interface drivers
- Operating voltage:
 - 18 - 30 VAC rectified
 - 12 - 24 VDC filtered
- Duty rating: Momentary
- Minimum activating pulse time: 17 milliseconds
- Coil Impedance: 68 - 73 ohms at 60Hz, 50 - 60 ohms DC resistance
- Switching power required for each 2R relay is:
 - 2.2 VA per relay at 24 VAC rectified
 - 175 mA per relay at 12 VDC
 - 350 mA per relay at 24 VDC

Physical:

- Mounts in standard 1/2" K.O. .825" - .875"
- Operates in any position

Electrical:

- 120, 277 or 347 VAC
- Motor Loads
 - 1 Hp @ 120VAC
- SCCR Rating*: 18,000 Symmetrical Amperes
- 20 amp Ballast 120, 277 or 347 VAC
- Resistive loads: 20 amps 120, 277 or 347 VAC

Connectors:

- Leads available in plain wire (no connector), C connector (5-pin female connector), EZ connector (quick disconnect terminals for standard .187" x .020" male tabs)

Operating Environment:

- Location Interior Space
- Operating Temperature 0° to 60° C (32° to 140° F)
- Relative Humidity 10% to 95%
- Atmosphere Non-condensing, Non-explosive, Non-corrosive
- Vibration Stationary application, NEMA Level A

Certifications:

- UL
- FCC Approval for commercial and residential use

* "Suitable for use on a circuit capable of delivering not more than 10,000 rms Symmetrical Amperes, 120 Volts maximum when protected by 50A maximum RK5 fuses or a 50A circuit breaker having an interrupting rating not less than 10,000 rms Symmetrical Amperes, 277 VAC maximum. Suitable for use on a circuit capable of delivering not more than 18,000 rms Symmetrical Amperes, 277 volts AC maximum, when protected by a 20A maximum RK5 fuse having an interruption rating not less than 18,000 rms Symmetrical Amperes, 277VAC maximum."