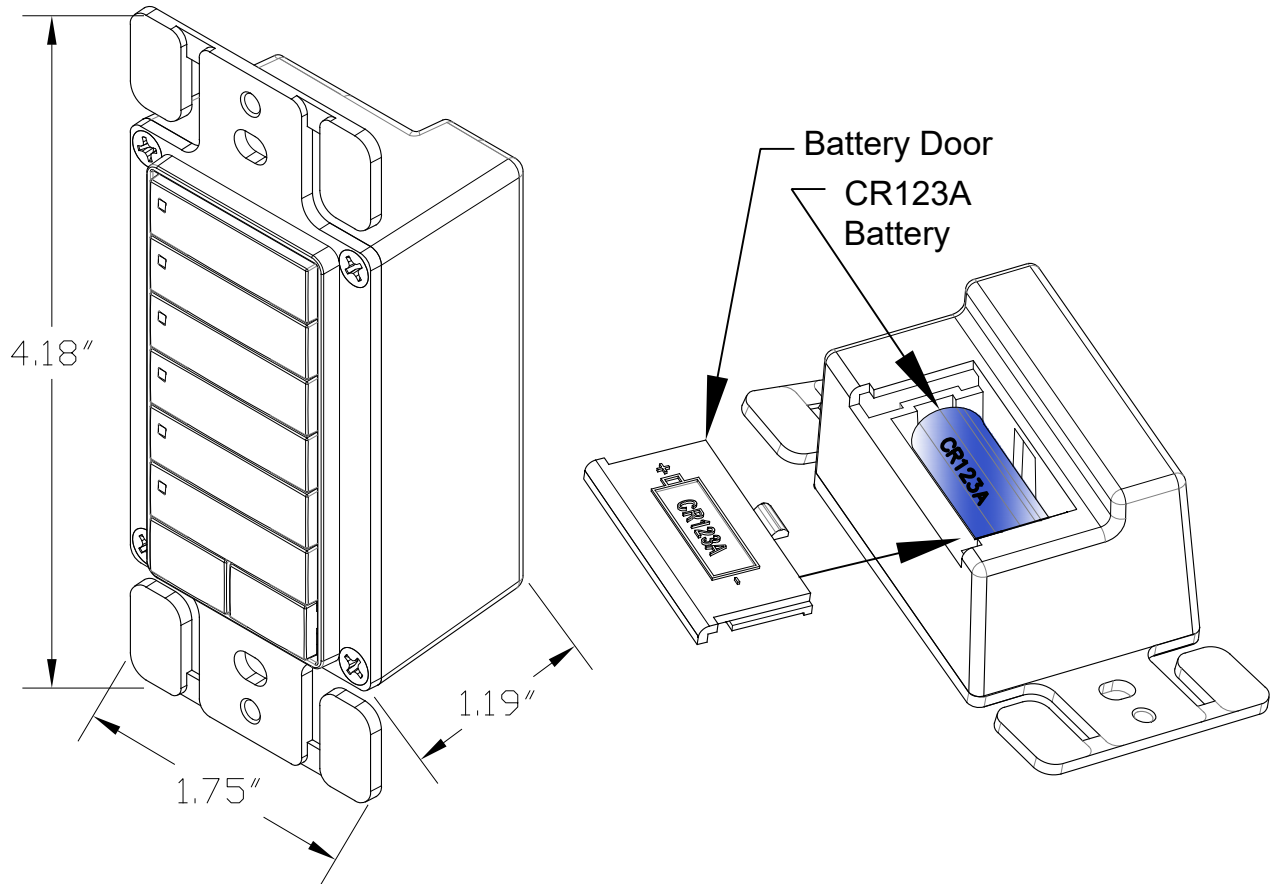


LightSync G3 Wireless Switch Product Details



General Information:

- Mounts in standard 1-gang switch box or mud ring
- Battery door for CR123A Lithium Battery
- Provided in all standard LSG3 switch configurations and colors (White, Ivory, Gray, Black, Red)
- Wireless 915Mhz radio for linking devices up to 50 feet line of sight
- Laser engraving provided, Black and Red buttons are pad printed
- Custom engraving available

Operating Environment:

Location: Interior
Operating Temp: 0-50 deg. C
Humidity: 10-90% Non-Condensing
Atmosphere: Non Explosive/Corrosive
Vibration: Stationary