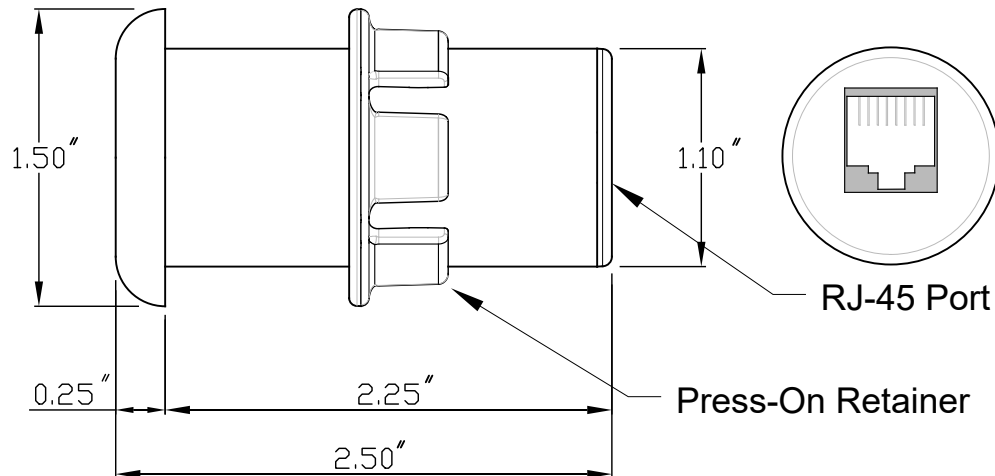


LightSync Photocell Sensor Indoor RJ45 Product Details



Indoor Photocell Sensor RJ45

- Designed to mount in a ceiling tile, sheetrock, or other material up to 1.5" thick
- White lexan plastic
- Head 1.50" x 0.25"
- Body 2.25" x 1.10" with press-on retainer
- Analog photocell to digital output
- RJ-45 port for Cat-5 cabling
- Powered by panel or photocell sensor controller

Operating Environment:

Location: Interior space

Operating Temp: -35 to 50 degrees C

Humidity: 10% to 100% Non-Condensing

Atmosphere: Non-explosive/corrosive

Vibration: Stationary