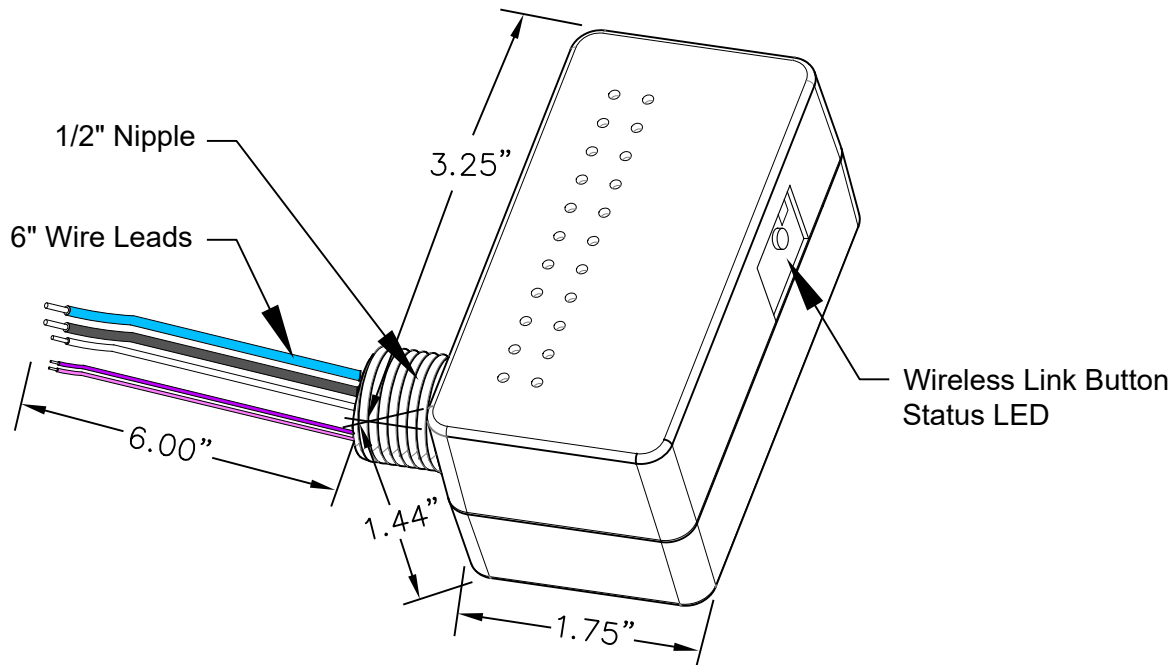


LightLEEDer Wireless WR5D Relay Product Details



General Information:

- Mounts to junction box 1/2" knock out or directly on fixture
- Wireless Link Button for linking to LSG3-W switches or LLEVO-W controller
- Link Button provides direct ON/OFF relay control
- LED status for relay ON/OFF and linking status
- Relay unique ID (UID) is factory set
- Wireless 915Mhz radio for linking up to 50 feet line of sight
- 6" Wire leads for Line/Load and 0-10V Dimming connections

Electrical:

- 1 Load with Dimming
- 5Amps, 120/277 VAC LED/Electronic
- 5Amps, 120/277 VAC Tungsten
- 1/4HP @ 120VAC Motor Load
- 50mA Sink for 0-10V Dimming
- 600VAC rated dimming leads

Operating Environment:

Location: Interior
Operating Temp: 0-50 deg. C
Humidity: 10-90% Non-Condensing
Atmosphere: Non Explosive/Corrosive
Vibration: Stationary