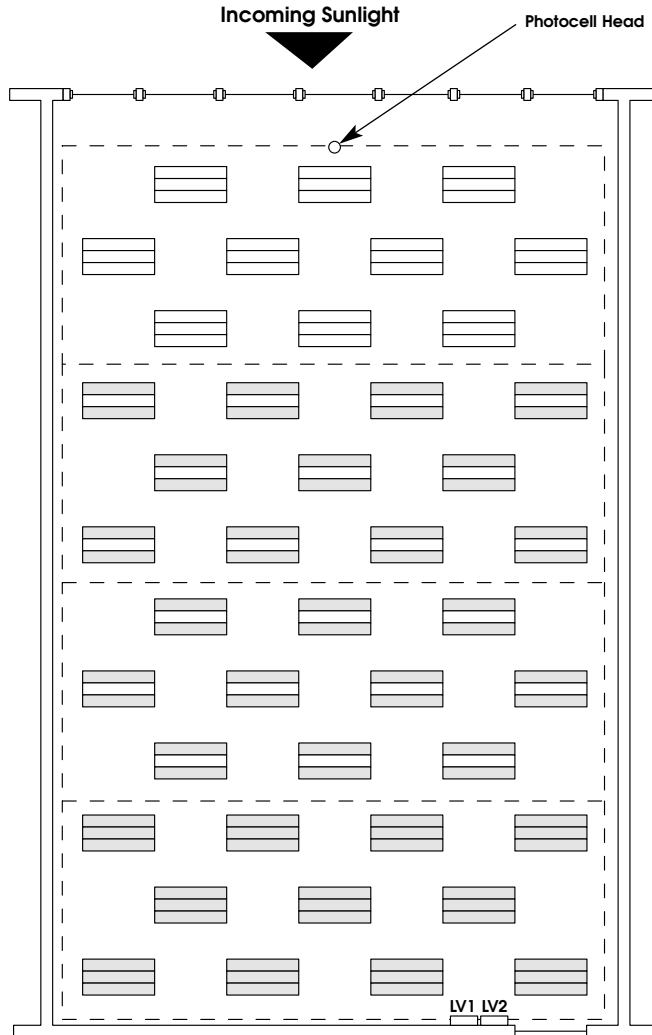


# ILC Photocell Control of Lighting Levels



Example: Zoned Room Lighting Control

## LightSync® Data Line Photo Sensor Offers:

- **Up to 8 Zones**

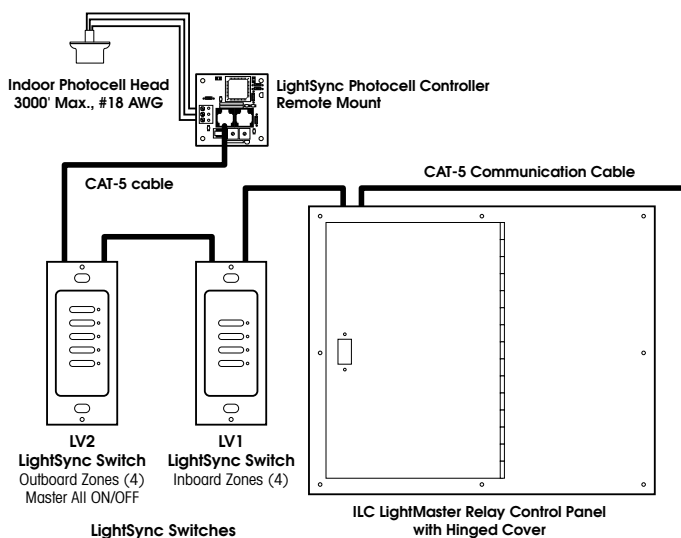
Utilize one LightSync Photo Sensor to control multiple zones, each with it's own setting

- **255 Set Points**

Set photocell range and dead-band levels for each zone from the LightMaster controller keypad. Choose from steps on an indoor or outdoor scale.

- **Local Override Control**

LightSync data line switches furnish local zone control with photocell override.



*LightMaster lighting control functions provide extensive additional control such as:*

- Scheduled OFF sweeps
- Telephone DTMF switching
- BAS zone status and override capability