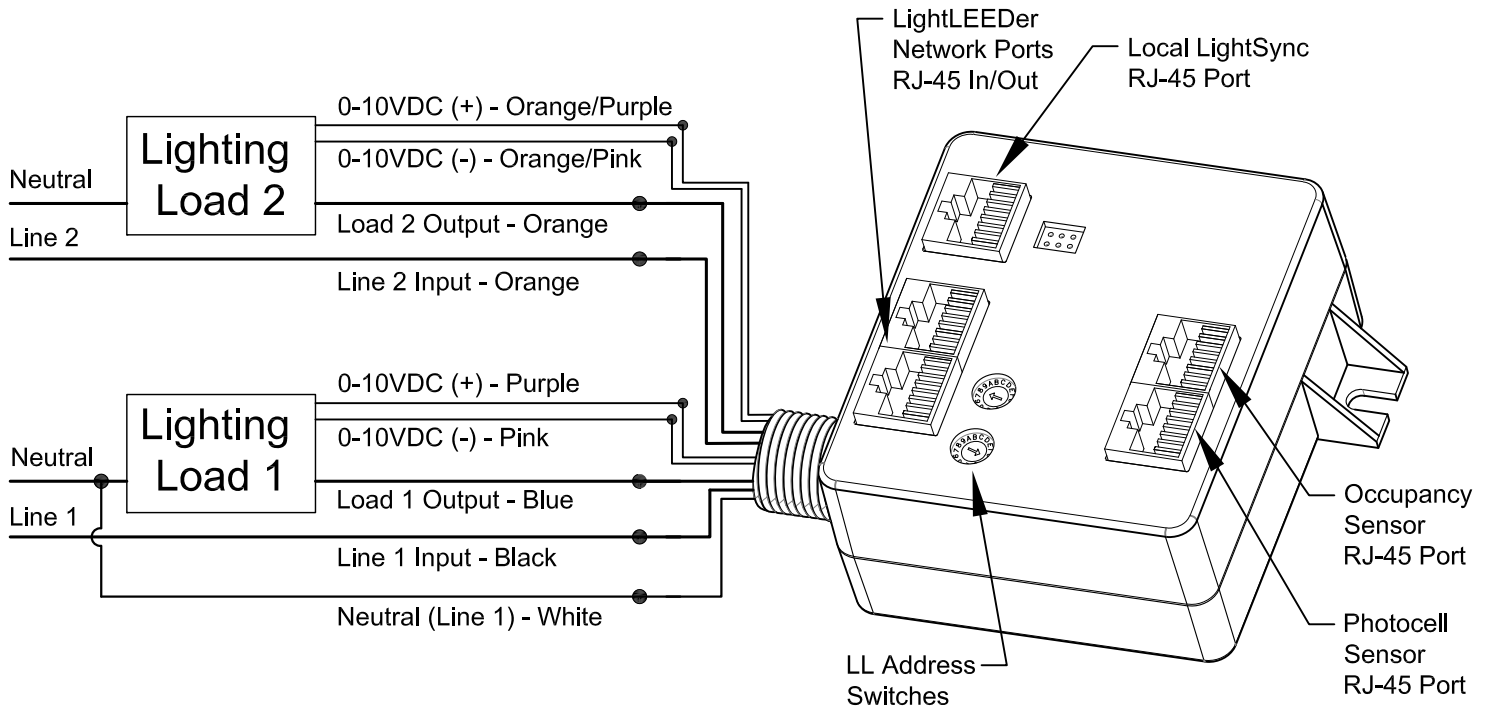


# LightLEEDer EVO Integrated-2 Relay Controller Wiring Details



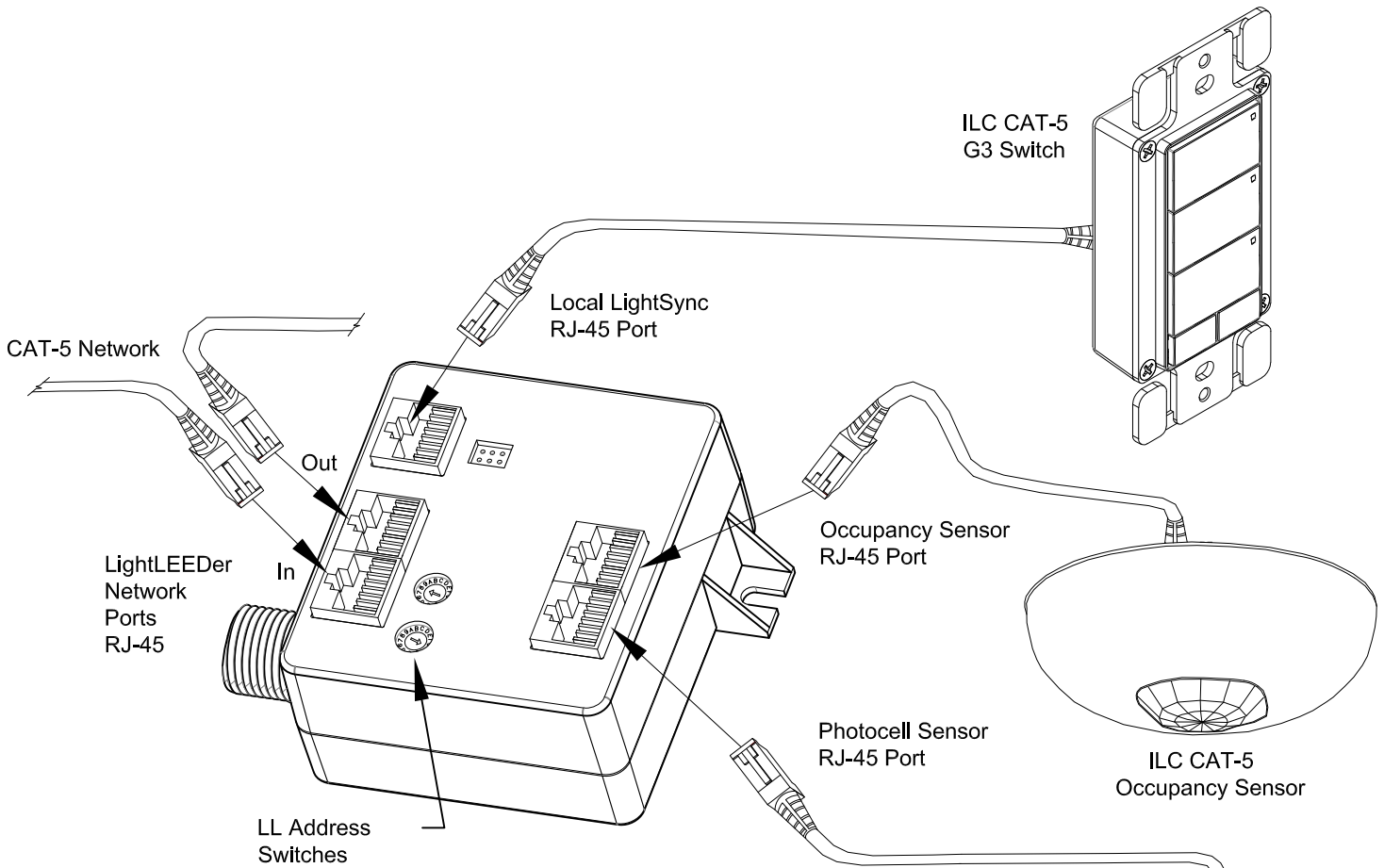
## Line Voltage Wiring:

- The LLEVO-INT-2 relay controller has two independent load outputs that can be on separate circuits.
- Relays can be used for a plug-load outlet circuit.
- The White Neutral wire must be connected to the Line 1 power circuit.
- Connect all Line/Load and Neutral wires, plus 0-10VDC dimming control wires as shown above, cap all unused leads.

## Line Voltage Wire Color Guide:

Neutral (Load 1) = White  
 Line 1 Input = Black  
 Load 1 Output = Blue  
 Load 1 0-10VDC (+) = Purple  
 Load 1 0-10VDC (-) = Pink

Line 2 Input = Orange  
 Load 2 Output = Orange  
 Load 2 0-10VDC (+) = Orange/Purple  
 Load 2 0-10VDC (-) = Orange/Pink



**Low Voltage Wiring:**

- Network In/Out ports for connecting to other LightLEEDer panels.
- Local LightSync RJ-45 port for connecting to LightSync digital switch devices from the panel or up to 3 LLEVO-INT-2-RC controllers.
- Maximum of 16 LightSync device address supported with power for up to 900 feet accumulative distance from panel. A PSR can be added to extend power range of CAT-5 run.
- RJ-45 port for occupancy sensor connection, 40mA power up to 100 feet from panel
- RJ-45 port for photocell sensor connection, up to 100 feet from panel

Indoor RJ-45 Photocell Sensor PS-IND-RJ45

**Occupancy / Photocell Sensor CAT-5 Cable Pin-out:**

CAT-5	Occupancy Sensor	Photocell Sensor
Orange/White	Pin 1 = (+) 24VDC	Pin 1 = (+) 5VDC
Orange	Pin 2 = (+) 24VDC	Pin 2 = (+) 5VDC
Green/White	Pin 3 = (-) Common	Pin 3 = (-) Common
Blue	Pin 4 = Return Input	Pin 4 = Unused
Blue/White	Pin 5 = Return Input	Pin 5 = Unused
Green	Pin 6 = (-) Common	Pin 6 = (-) Common
Brown/White	Pin 7 = Unused	Pin 7 = Return Input
Brown	Pin 8 = Unused	Pin 8 = Return Input

Optional LLRJ-45T terminal adaptor can be used for hardwired sensors. Refer to WD0007 and WD0008 for more detail.