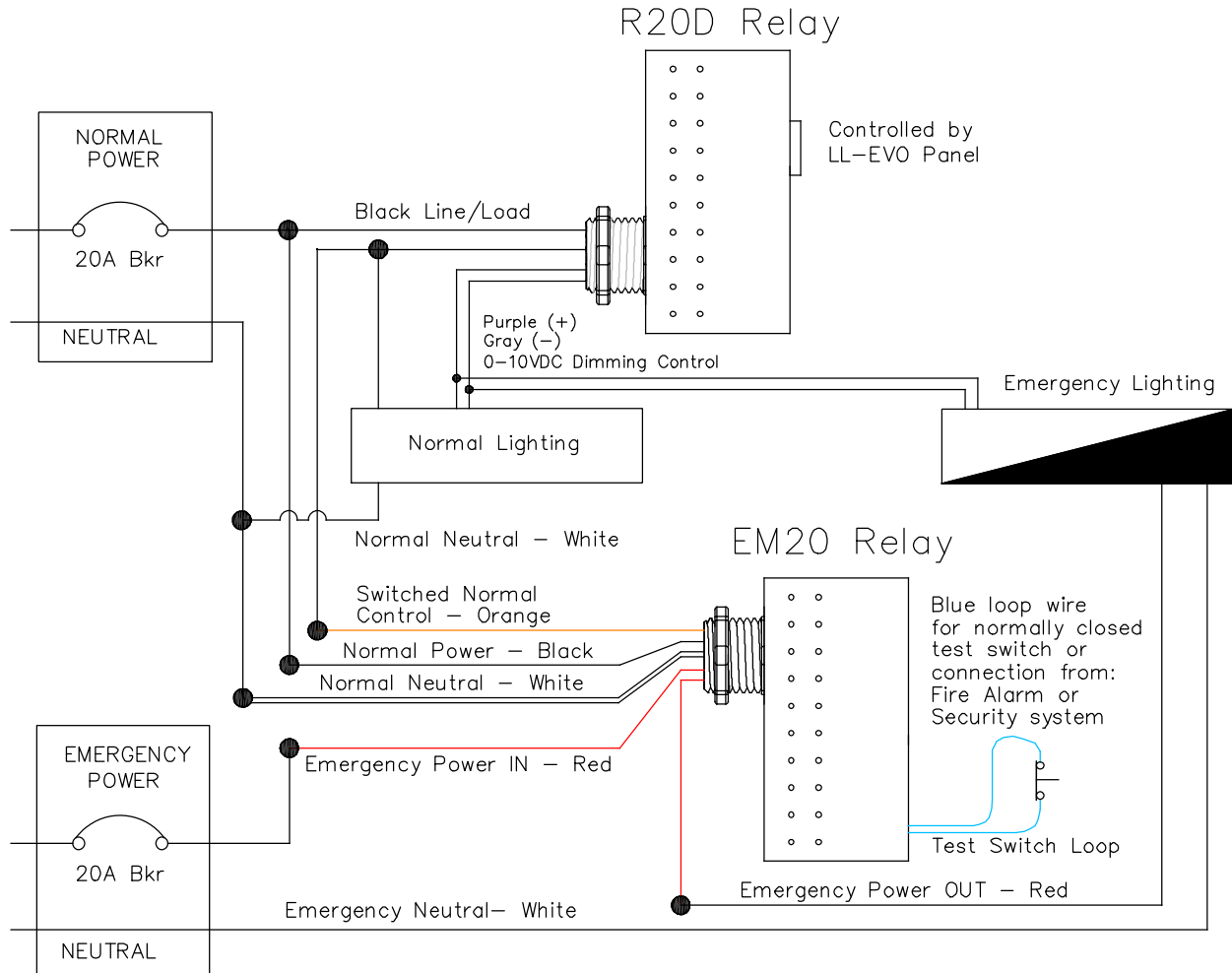


EM20 Bypass Relay and Remote R20D Relay Wiring Details



- UL-924 Emergency Relay is a shunt bypass device, the EM20 will automatically switch on the EM power at loss of the normal power connection to the Black/White wire normal power monitoring leads.
- Switched Normal power is tracked with the Orange connection, the EM20 relay will follow the normal power on/off operation, controlling the emergency lighting to match the normal lighting state.
- Blue switch loop can be cut for a normally closed local test switch, or connection to a fire alarm or security alarm system. When opened it will force the EM20 relay to an bypassed-on state.

Note: Normal power to R20D relay, LL-EVO controller, and EM20 relay must be on the same circuit for the 0-10V dimming bypass operation to function properly, defaulting to 100% non-dim level during a power loss.