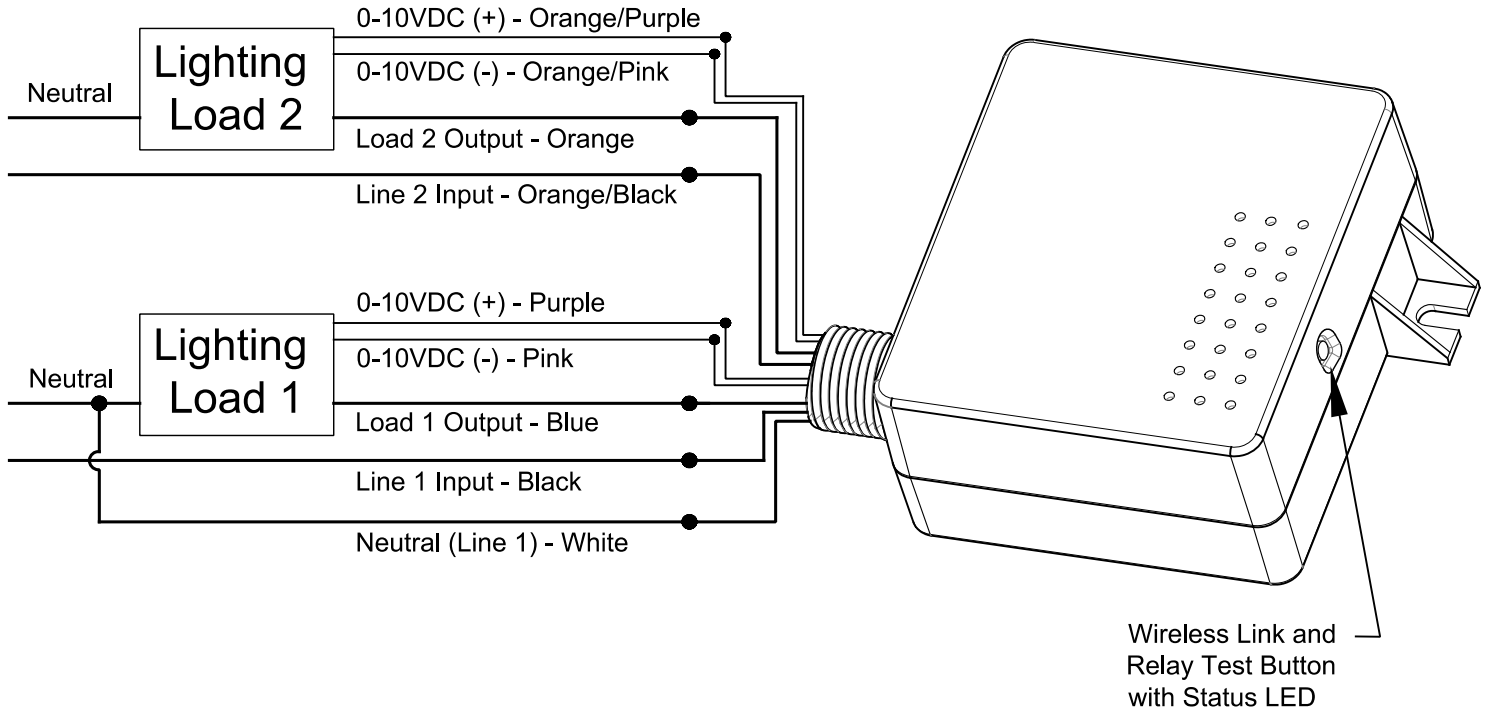


LightLEEDer WR20D, WR20D-2 Wireless Relay Wiring Details



- The WR20D Wireless Relay has a single load control output, while the WR20D-2 Wireless Relay provides control for two independent loads that can be on separate circuits.
- The Neutral connection to the Relay is used for powering the device from the Line 1 power circuit.
- Connect all Line/Load and Neutral wires, plus 0-10VDC dimming control wires as shown above, cap all unused leads.
- Press the Wireless Link/Test button to toggle the relays LED status should light green for relay 1, red for relay 2.
- Refer to TB0401 for direct link instructions, and TB0402 for linking to a LLEVO-W controller.

Wire Color Guide:

Neutral (Load 1) = White

Line 1 Input = Black

Load 1 Output = Blue

Load 1 0-10VDC (+) = Purple

Load 1 0-10VDC (-) = Pink

Line 2 Input = Orange/Black

Load 2 Output = Orange

Load 2 0-10VDC (+) = Orange/Purple

Load 2 0-10VDC (-) = Orange/Pink