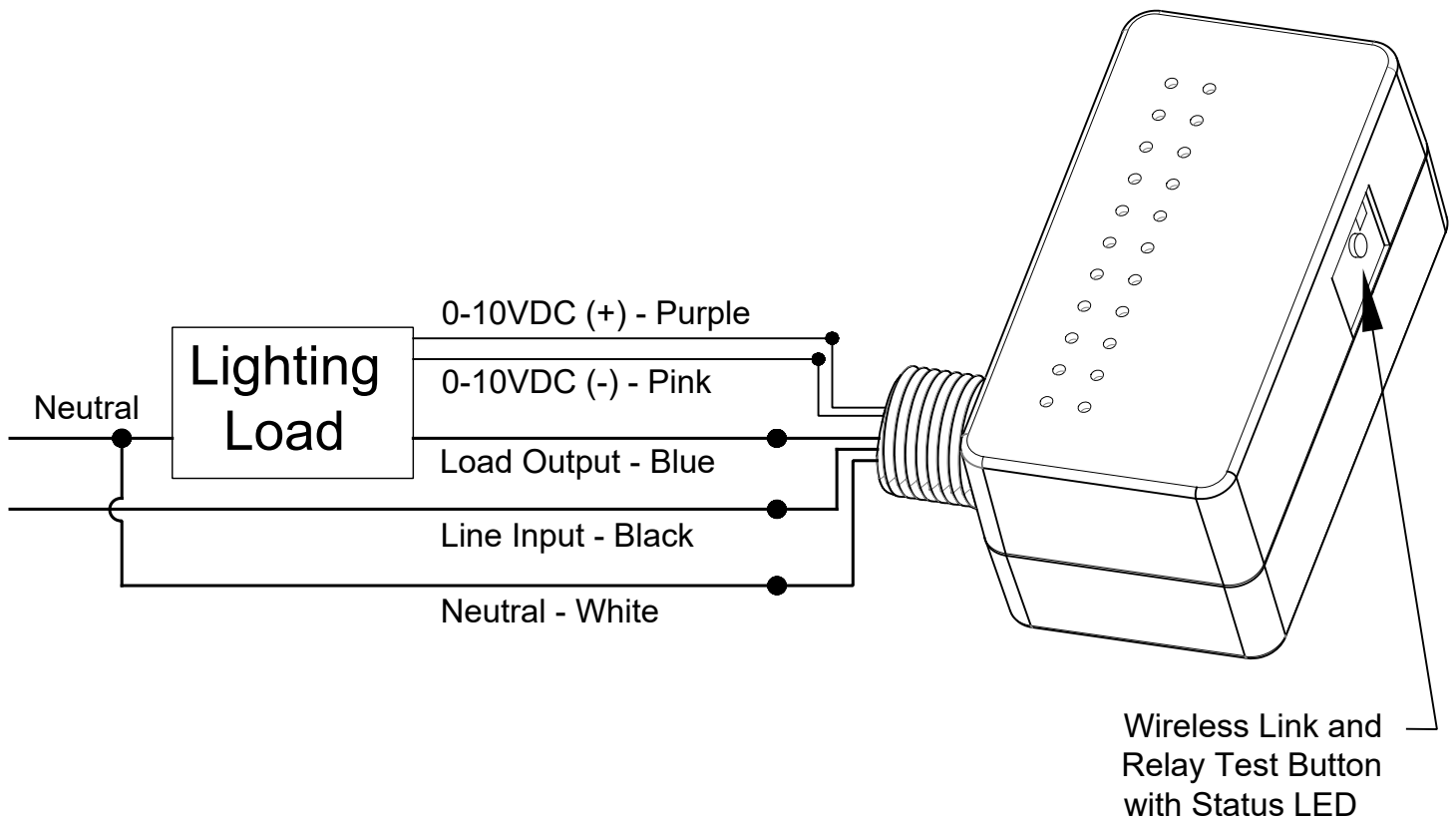


LightLEEDer WR5D Wireless Relay Wiring Details



- The WR5D Wireless Relays is designed for up to a with a 5 Amp load.
- Connect all Line/Load and Neutral wires, plus 0-10VDC control control wires as shown above, cap all unused leads.
- Press the Wireless Link/Test button toggle the relay, LED status should light green for relay on.
- The WR5D can direct link to LSG3-W switches or to the LLEVO-W for networking.
- Refer to TB0401 for direct link instructions, and TB0402 for linking to a LLEVO-W controller.

Wire Color Guide:

Neutral = White
Line Input = Black
Load Output = Blue
Load 1 0-10VDC (+) = Purple
Load 1 0-10VDC (-) = Pink